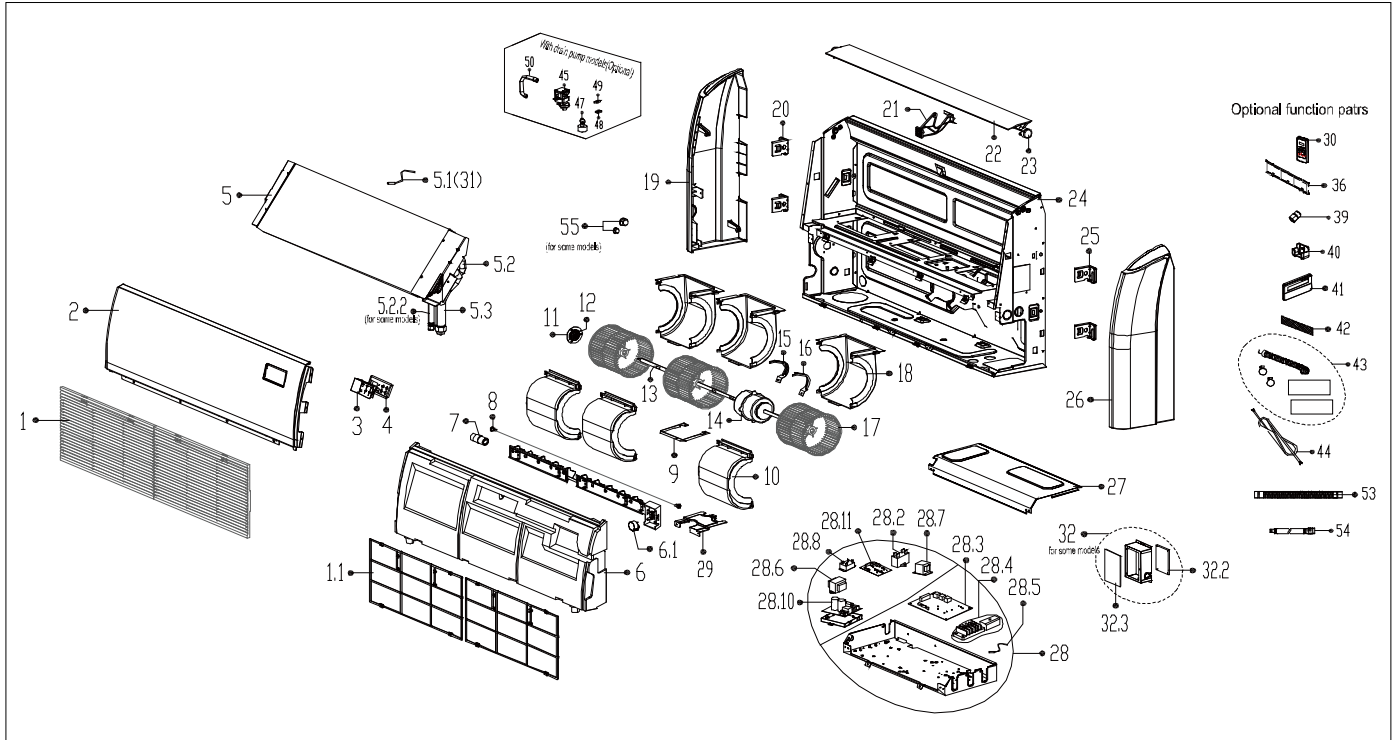


Exploded View

Model FPA-36DU

ComfortStar®



EX_ID	Spare Parts Code	Part Name(EN)	Qty.	Price	Remarks	Update
1	12122700000096	Return air grille subassembly	2			
1.1	12100204000718	Air filter	1.0			
2	12222700000094	Top cover	1			
3	17122700000005	Display board subassembly	1			
4	12122700000044	Display installation box	1			
5	15822700001529	Evaporator assembly	1			
5.1	11201007000047	Pipe temperature sensor	1.0			
5.1	/	Pipe temperature sensor	1.0		JSN after*18C20xxxx	20230616
	11201007000266				JSN after*16206xxxx	20230616
5.2	15122700001675	Evaporator inlet pipe subassembly	1.0			
5.3	15122700000198	Evaporator outlet pipe subassembly	1.0			
6	12822700000011	Water collector subassembly	1			
6.1	11002010000546	Stepper motor	1.0			
7	12923000000523	Coupling	1			
8	12122000000344	Insulated axis	2			
9	12223000000537	Fan motor fixing board	1			

10	12122700000756	Volute shell (above)	3			
11	12222000003769	Supporting board	1			
12	12622000000291	Bearing components	1			
13	12922700000004	Connecting shaft	1			
14	11002015000297	Brushless DC Motor	1			
15	12222500000255	Fan motor axes clamp (right)	1			
16	12222500000253	Fan motor axes clamp (left)	1			
17	12100103000165	plastic fan	3			
18	12122700000755	Volute shell (below)	3			
19	12122700000093	Cover	1			
20	12222700000018	Right hook	2			
21	12122700000150	Supporter of louver	1			
22	12122700000715	Louver subassembly	1			
23	11002010000057	Stepper Motor	1			
24	12222700000226	Chassis assembly	1			
25	12222700000016	Left hook	2			
26	12122700000087	Cover	1			
27	12222700000058	Cover of electronic control box subassembly	1			
28	17222700A01773	Electronic control box subassembly	1		JSN after*18C20xxxx	20230616
	17222700A01073				JSN after*16605xxxx	20230616
	17222700000196				JSN after*16206xxxx	20230616
28.3	17122700A01448	Main control board subassembly	1.0		JSN after*18C20xxxx	20230616
	17122700A00948				JSN after*16605xxxx	20230616
	17122700000387				JSN after*16206xxxx	20230616
28.4	17400401000094	Terminal	1.0			
28.4	17400401000006	Terminal	1.0			
28.5	11201007000073	Room Temperature Sensor	1.0			
29	12222700000054	display board installation support	1			
30	17317000A64087	Remote controller	1		JSN after*22217xxxx	20230616
	17317000A16345				JSN after*16605xxxx	20230616
	17317000A00646				JSN after*16206xxxx	20230616
32	17222700000162	Electronic control box subassembly	1			
32.2	17122000008498	Inverter module subassembly	1.0			
32.3	11203803000154	Radiator	1.0			
40	12122000029201	Bracket of remote Controller	1			
43	12011600A00310	Accessory kit	1			
55	15500406000003	Copper nut	1			
55	15500406000010	Copper nut	1			