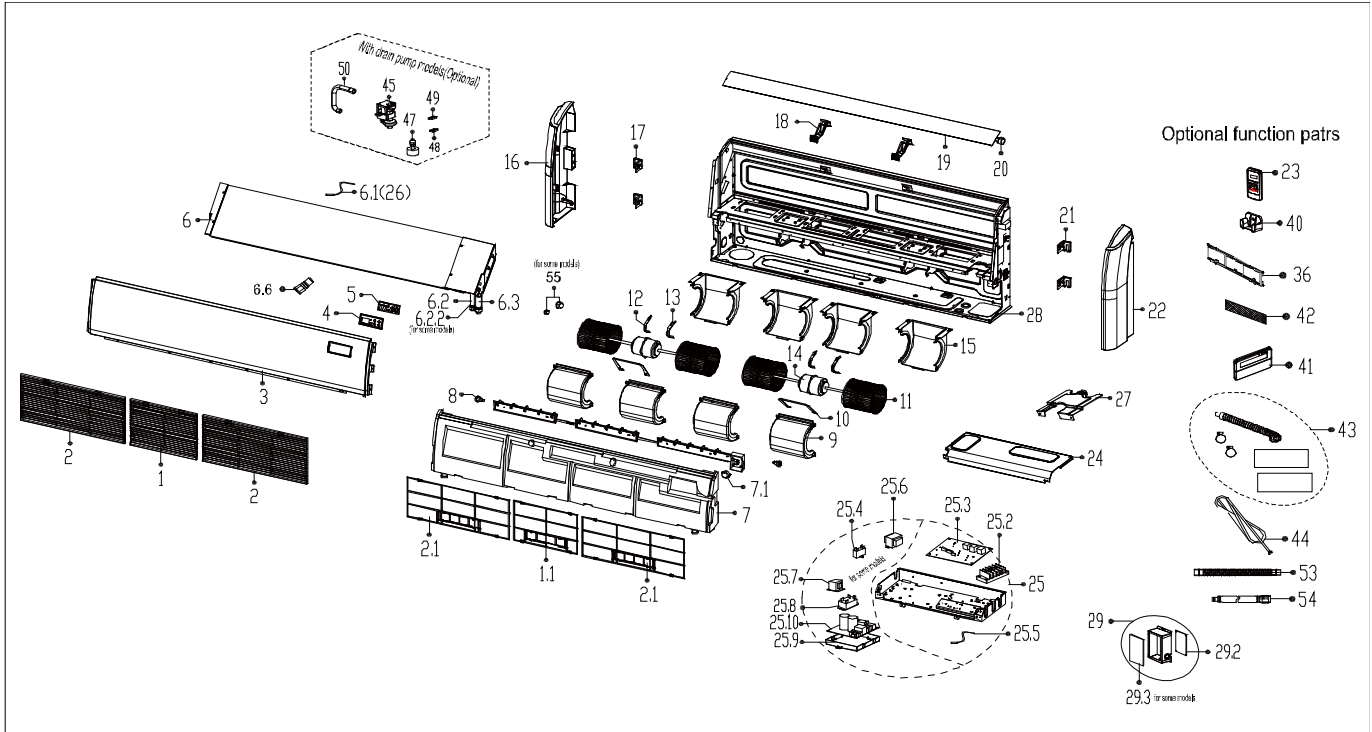


Exploded View

Model FPA-48DU

ComfortStar®



EX_ID	Spare Parts Code	Part Name(EN)	Qty.	Price	Remarks	Update
1	12122700000103	Return air grille subassembly	1			
1.1	12100204000719	Air filter	1.0			
2	12122700000096	Return air grille subassembly	2			
2.1	12100204000718	Air filter	1.0			
3	12222700000093	Top cover	1			
4	12122700000044	Display installation box	1			
5	17122700000005	Display board subassembly	1			
6	15822700001543	Evaporator assembly	1			
6.1	11201007000047	Pipe temperature sensor	1.0			
6.1	/	Pipe temperature sensor	1.0		JSN after*19928xxxx	20230616
	11201007000266				JSN after*16206xxxx	20230616
6.2	15122700001697	Evaporator inlet pipe subassembly	1.0			
6.3	15122700000186	Evaporator outlet pipe subassembly	1.0			
6.6	15500209000002	Detection valve	1.0		JSN after*17515xxxx	20230616
	/				JSN after*16206xxxx	20230616
7	12822700000009	Water collector subassembly	1			

7.1	11002010000546	Stepper motor	1.0			
8	12122000000344	Insulated axis	2			
9	12122700000756	Volute shell (above)	4			
10	12223000000537	Fan motor fixing board	2			
11	12100103000165	plastic fan	4			
12	12222500000255	Fan motor axes clamp (right)	2			
13	12222500000253	Fan motor axes clamp (left)	2			
14	11002015000344	Brushless DC Motor	2			
15	12122700000755	Volute shell (below)	4			
16	12122700000093	Cover	1			
17	12222700000018	Right hook	2			
18	12122700000150	Supporter of louver	2			
19	12122700000718	Louver subassembly	1			
20	11002010000057	Stepper Motor	1			
21	12222700000016	Left hook	2			
22	12122700000087	Cover	1			
23	17317000A64087	Remote controller	1		JSN after*22327xxxx	20230616
	17317000A16345				JSN after*16605xxxx	20230616
	17317000A00646				JSN after*16206xxxx	20230616
24	12222700000058	Cover of electronic control box subassembly	1			
25	17222700A01771	Electronic control box subassembly	1		JSN after*19928xxxx	20230616
	17222700000197				JSN after*17B06xxxx	20230616
	17222700A01071				JSN after*16605xxxx	20230616
	17222700000197				JSN after*16206xxxx	20230616
25.1	/	Electronic control box	1.0		JSN after*22C14xxxx	20230616
	12222700000083				JSN after*16206xxxx	20230616
25.2	17400401000006	Terminal	1.0			
25.2	17400401000094	Terminal	1.0			
25.3	17122700A01450	Main control board subassembly	1.0			
25.5	11201007000073	Room Temperature Sensor	1.0			
27	12222700000054	display board installation support	1			
28	12222700000228	Chassis assembly	1			
29	17222700000162	Electronic control box subassembly	2			
29.1	/	Electronic control box	1.0		JSN after*22C14xxxx	20230616
	12223000000052				JSN after*16206xxxx	20230616
29.2	17122000008498	Inverter module subassembly	1.0			
29.3	11203803000154	Radiator	1.0			
40	12122000029201	Bracket of remote Controller	1			
43	12011600A00310	Accessory kit	1			
55	15500406000003	Copper nut	1			
55	15500406000010	Copper nut	1			