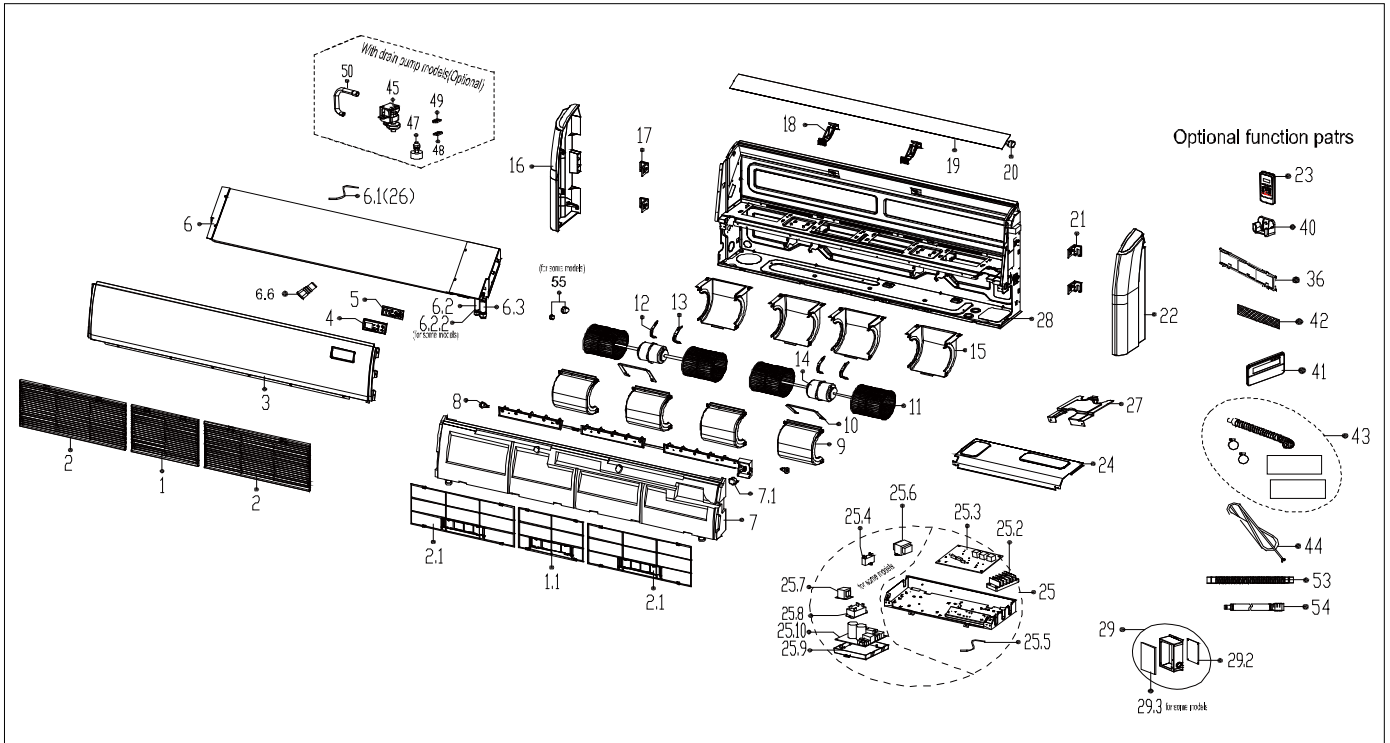


# Exploded View

Model FPA-60DU

# ComfortStar®



EX_ID	Spare Parts Code	Part Name(EN)	Qty.	Price	Remarks	Update
1	12122700000103	Return air grille subassembly	1			
1.1	12100204000719	Air filter	1.0			
2	12122700000096	Return air grille subassembly	2			
2.1	12100204000718	Air filter	1.0			
3	12222700000093	Top cover	1			
4	12122700000044	Display installation box	1			
5	17122700000005	Display board subassembly	1			
6	15822700001552	Evaporator assembly	1			
6.1	11201007000047	Pipe temperature sensor	1.0			
6.2	15122700001676	Evaporator inlet pipe subassembly	1.0			
6.3	15122700000213	Evaporator outlet pipe subassembly	1.0			
6.6	15500209000002	Detection valve	1.0			
7	12822700000009	Water collector subassembly	1			
7.1	11002010000546	Stepper motor	1.0			
8	12122000000344	Insulated axis	2			
9	12122700000756	Volute shell (above)	4			

10	12223000000537	Fan motor fixing board	2			
11	12100103000165	plastic fan	4			
12	12222500000255	Fan motor axes clamp (right)	2			
13	12222500000253	Fan motor axes clamp (left)	2			
14	11002015002521	Brushless DC Motor	2			
15	12122700000755	Volute shell (below)	4			
16	12122700000093	Cover	1			
17	12222700000018	Right hook	2			
18	12122700000150	Supporter of louver	2			
19	12122700000718	Louver subassembly	1			
20	11002010000057	Stepper Motor	1			
21	12222700000016	Left hook	2			
22	12122700000087	Cover	1			
23	17317000A64087	Remote controller	1		JSN after*22217xxxx	20230616
	17317000A16345				JSN after*17B06xxxx	20230616
24	12222700000058	Cover of electronic control box subassembly	1			
25	17222700001416	Electronic control box subassembly	1			
25.2	17400401000094	Terminal	1.0			
25.2	17400401000075	Terminal	1.0			
25.3	17122700001435	Main control board subassembly	1.0			
25.5	11201007000073	Room Temperature Sensor	1.0			
25.7	17400306000070	Reactor	1.0			
25.11	17122000026909	Filter board subassembly	1.0			
27	12222700000054	display board installation support	1			
28	12222700000228	Chassis assembly	1			
29	17222700000120	Electronic control box subassembly	2			
29.2	17122000008554	Inverter module subassembly	1.0			
29.3	11203803000154	Radiator	1.0			
40	12122000029201	Bracket of remote Controller	1			
43	12011600A00310	Accessory kit	1			
55	15500406000008	Copper nut	1			
55	15500406000010	Copper nut	1			