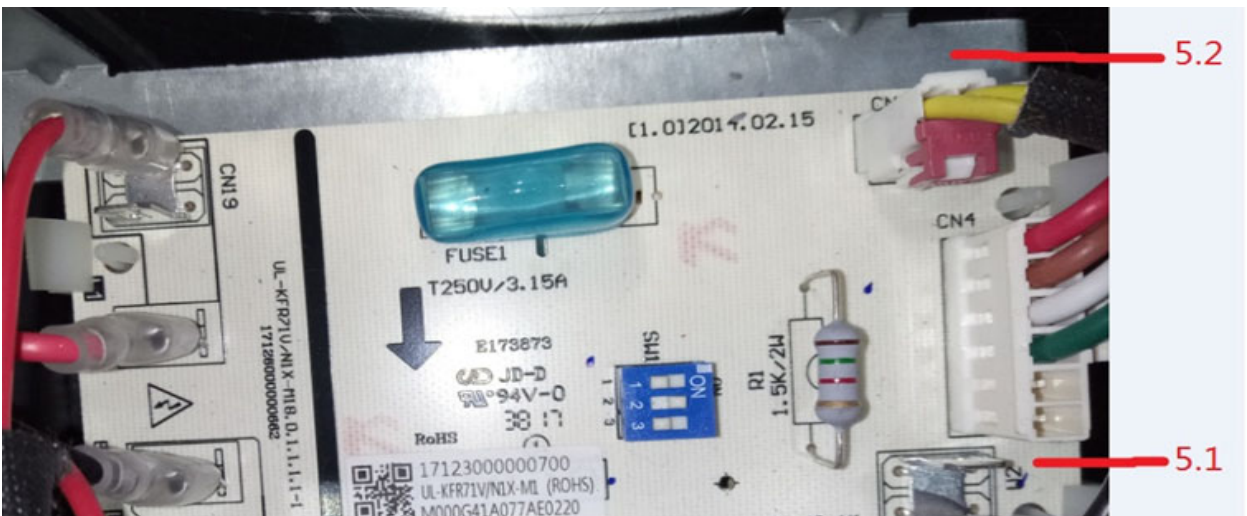
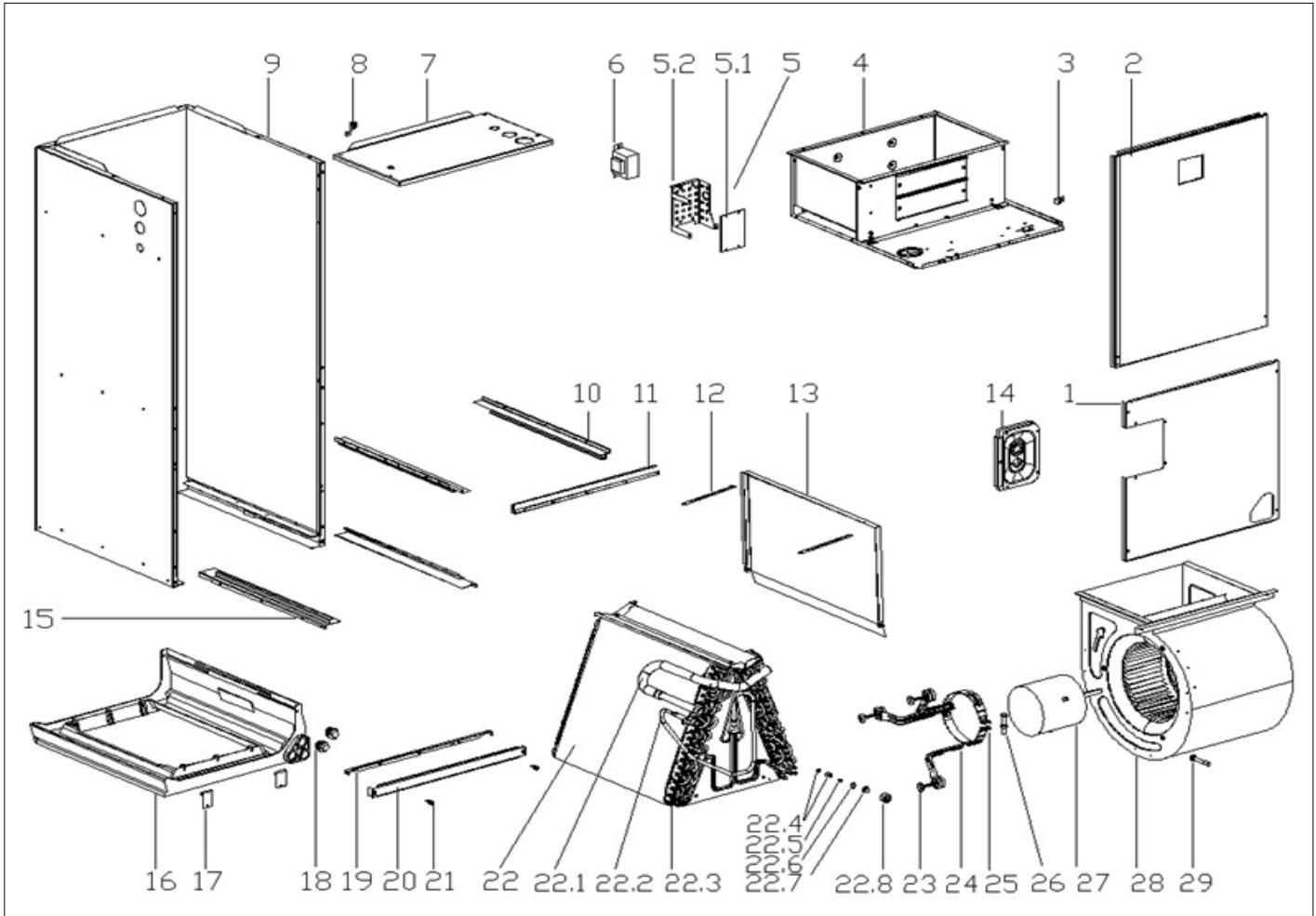


# Exploded View

Model

LCM16-48

# ComfortStar®





| EX_ID | Spare Parts Code | Part Name(EN)  | Qty. | Price | Remarks |
|-------|------------------|--|------|-------|---------|
| 1     | 12223000010749   | Side panel assembly  | 1.0  |       |         |
| 2     | 12223000002187   | Side panel assembly  | 1.0  |       |         |
| 3     | 11201708000008   | Wiring Terminal  | 1.0  |       |         |
| 4     | 12223000002127   | Air channel ass'y  | 1.0  |       |         |
| 5     | 17223000005676   | E-part box assembly  | 1.0  |       |         |
| 5.1   | 17123000000700   | Electronic control(display) box subassembly of indoor unit | 1.0  |       |         |
| 5.2   | 12223000002167   | Electric installation board                                | 1.0  |       |         |
| 6     | 11203103000141   | Transformer  | 1.0  |       |         |
| 7     | 12223000002215   | Side panel assembly  | 1.0  |       |         |
| 8     | 12100304000011   | Clamp  | 1.0  |       |         |
| 9     | 12223000002361   | Base assembly  | 1.0  |       |         |
| 10    | 12223000001940   | Drainage pan supporting board                              | 2.0  |       |         |
| 11    | 12223000010767   | Supporter assembly   | 1.0  |       |         |
| 12    | 12223000010756   | Drainage pan clamp   | 2.0  |       |         |
| 13    | 12223000001210   | Drainage pan   | 1.0  |       |         |
| 14    | 12223000010789   | Cover plate ass'y  | 1.0  |       |         |
| 15    | 12223000010759   | Drainage pan supporting board                              | 2.0  |       |         |
| 16    | 12123000000110   | Drain pan ass'y  | 1.0  |       |         |
| 17    | 12223000000028   | Water pan cushion  | 2.0  |       |         |
| 18    | 15500402000023   | seal plug  | 2.0  |       |         |
| 19    | 12223000002101   | Supporting bar   | 1.0  |       |         |
| 20    | 12223000002000   | Cover board  | 1.0  |       |         |
| 21    | 11301230000002   | Screw  | 2.0  |       |         |
| 22    | 15823000004404   | Evaporator assembly  | 1.0  |       |         |
| 22.1  | 15223000000166   | Output pipe assembly                                       | 1.0  |       |         |
| 22.2  | 15423000004538   | Evaporator input pipe assembly                             | 1.0  |       |         |
| 22.3  | 15823000004403   | Evaporator   | 2.0  |       |         |
| 22.4  | 15500210000968   | Throttle   | 1.0  |       |         |
| 22.5  | 15500220000015   | Valve plug   | 1.0  |       |         |
| 22.6  | 12100901000010   | Sealing ring   | 1.0  |       |         |
| 22.7  | 15500302000014   | Flange joint   | 1.0  |       |         |

|      |                |                                    |     |  |  |
|------|----------------|------------------------------------|-----|--|--|
| 22.8 | 15500402000191 | Nut                                | 1.0 |  |  |
| 23   | 11301705000092 | Bolt                               | 3.0 |  |  |
| 24   | 12223000001932 | Supporter subassembly of fan motor | 3.0 |  |  |