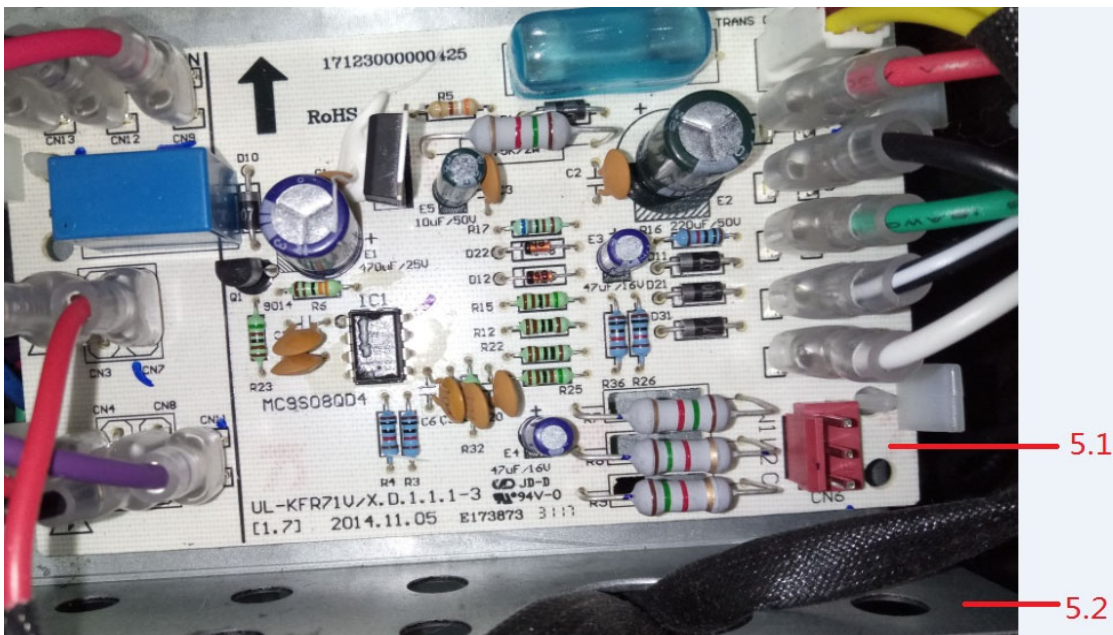
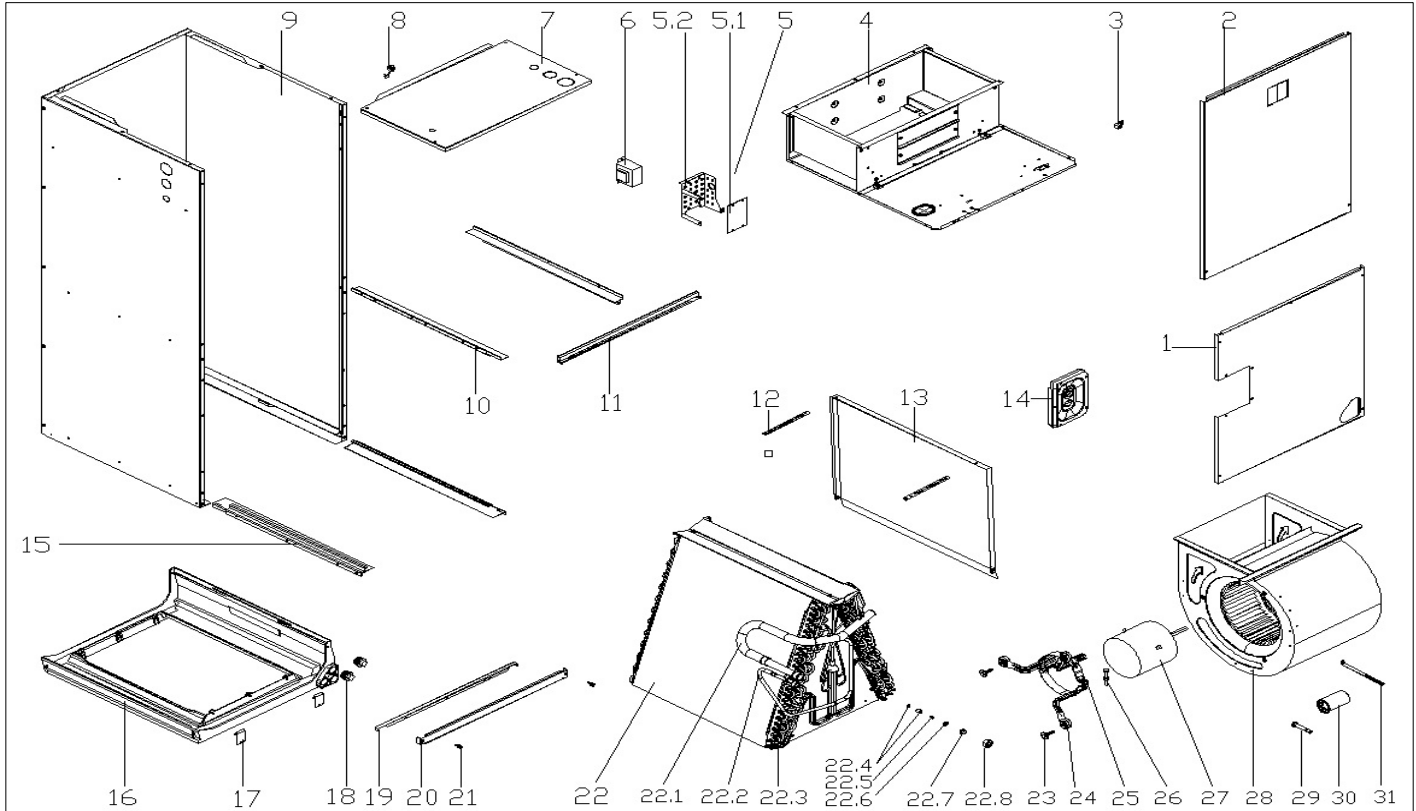


# Exploded View

Model

LUC2-60-14

ComfortStar®



EX_ID	Spare Parts Code	Part Name(EN)	Qty.	Price	Remarks
-------	------------------	---------------	------	-------	---------

1	12223000010749	Side panel assembly	1.0		
2	12223000002187	Side panel assembly	1.0		
3	11201708000008	Wiring Terminal	1.0		
4	12223000002127	Air channel ass'y	1.0		
5	17223000005757	E-part box assembly	1.0		
5.1	17127700000037	Main control board subassembly	1.0		
5.2	12223000002167	Electric installation board	1.0		
6	11203103000141	Transformer	1.0		
7	12223000002215	Side panel assembly	1.0		
8	12100304000011	Clamp	1.0		
9	12223000002361	Base assembly	1.0		
10	12223000001940	Drainage pan supporting board	2.0		
11	12223000010767	Supporter assembly	1.0		
12	12223000010756	Drainage pan clamp	2.0		
13	12223000001210	Drainage pan	1.0		
14	12223000010789	Cover plate ass'y	1.0		
15	12223000010759	Drainage pan supporting board	2.0		
16	12123000000110	Drain pan ass'y	1.0		
17	12223000000028	Fixing board of water collector	2.0		
18	15500402000023	seal plug	2.0		
19	12223000002101	Supporting bar	1.0		
20	12223000002000	Cover board	1.0		
21	11301230000002	Screw	2.0		
22	15823000A04076	Evaporator assembly	1.0		
22.1	15223000000166	Output pipe assembly	1.0		
22.2	15423000004538	Evaporator input pipe assembly	1.0		
22.3	15823000004403	Evaporator	2.0		
22.4	15500210000968	Throttle	1.0		
22.5	15500220000015	Valve plug	1.0		
22.6	12100901000010	Sealing ring	1.0		
22.7	15500302000014	Flange joint	1.0		
22.8	15500402000191	Nut	1.0		
23	11301705000031	Bolt	3.0		
24	12223000001932	Supporter subassembly of fan motor	3.0		