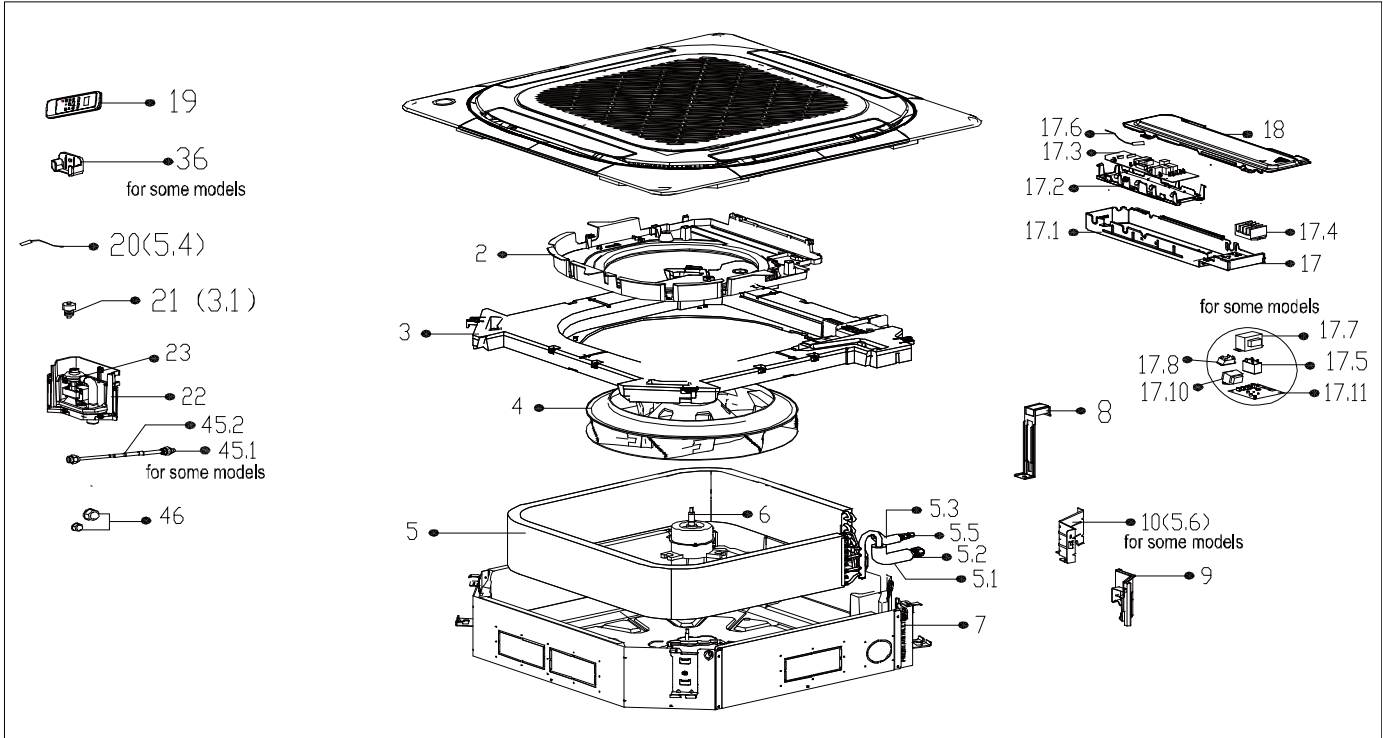


Exploded View

Model

TIP36

ComfortStar®



| EX_ID | Spare Parts Code | Part Name(EN) | Qty. | Price | Remarks | Update |
|-------|------------------|--|------|-------|---------|--------|
| 2 | 12122500002031 | Ventilation assembly | 1.0 | | | |
| 3 | 12822500000450 | Foam tray assembly for condenser water | 1.0 | | | |
| 3.1 | 17400511001044 | Water Level Switch | 1.0 | | | |
| 4 | 12100103000944 | Fan assembly | 1.0 | | | |
| 5 | 15822500002384 | Evaporator assembly | 1.0 | | | |
| 5.1 | 15122500003261 | Output pipe assembly | 1.0 | | | |
| 5.2 | 15500404000005 | Copper nut | 1.0 | | | |
| 5.3 | 15122500003260 | Input pipe assembly | 1.0 | | | |
| 5.5 | 15500209000002 | Detection valve | 1.0 | | | |
| 6 | 11002015012308 | Asynchronous motor | 1.0 | | | |
| 7 | 12222500002094 | Chassis assembly | 1.0 | | | |
| 8 | 12222500000089 | Evaporator fixing hanger | 2.0 | | | |
| 9 | 12122500002028 | Pipe fixing board assembly | 1.0 | | | |
| 10 | 12222500002092 | Evaporator fixing board | 1.0 | | | |
| 17 | 17222500003520 | Electronic control box assembly | 1.0 | | | |
| 17.2 | 12122500002047 | Insulation plate | 1.0 | | | |

| | | | | | | |
|-------|----------------|-------------------------------------|-----|--|---------------------|----------|
| 17.3 | 17122500005215 | Main control board assembly | 1.0 | | | |
| 17.4 | 17400401000085 | Wire joint | 1.0 | | | |
| 17.6 | 11201007003424 | Ambient temperature sensor assembly | 1.0 | | | |
| 17.7 | 17400306001543 | Reactance | 1.0 | | | |
| 17.11 | 17122000048868 | Humidity sensor subassembly | 1.0 | | | |
| 18 | 12222500002033 | Cover of electronic control box I | 1.0 | | | |
| 19 | 17317000007564 | Remote controller | 1.0 | | | |
| 20 | 11201007003442 | Pipe temperature sensor | 1.0 | | | |
| 22 | 12122500002027 | External water pump box assembly | 1.0 | | | |
| 23 | 11001010001757 | Drain pump | 1.0 | | | |
| 36 | 12122000029201 | Bracket of remote Controller | | | JSN after*21A16xxxx | 20230615 |
| 46 | 15500406000010 | Copper nut | 1.0 | | | |
| 46 | 15500406000003 | Copper nut | 1.0 | | | |