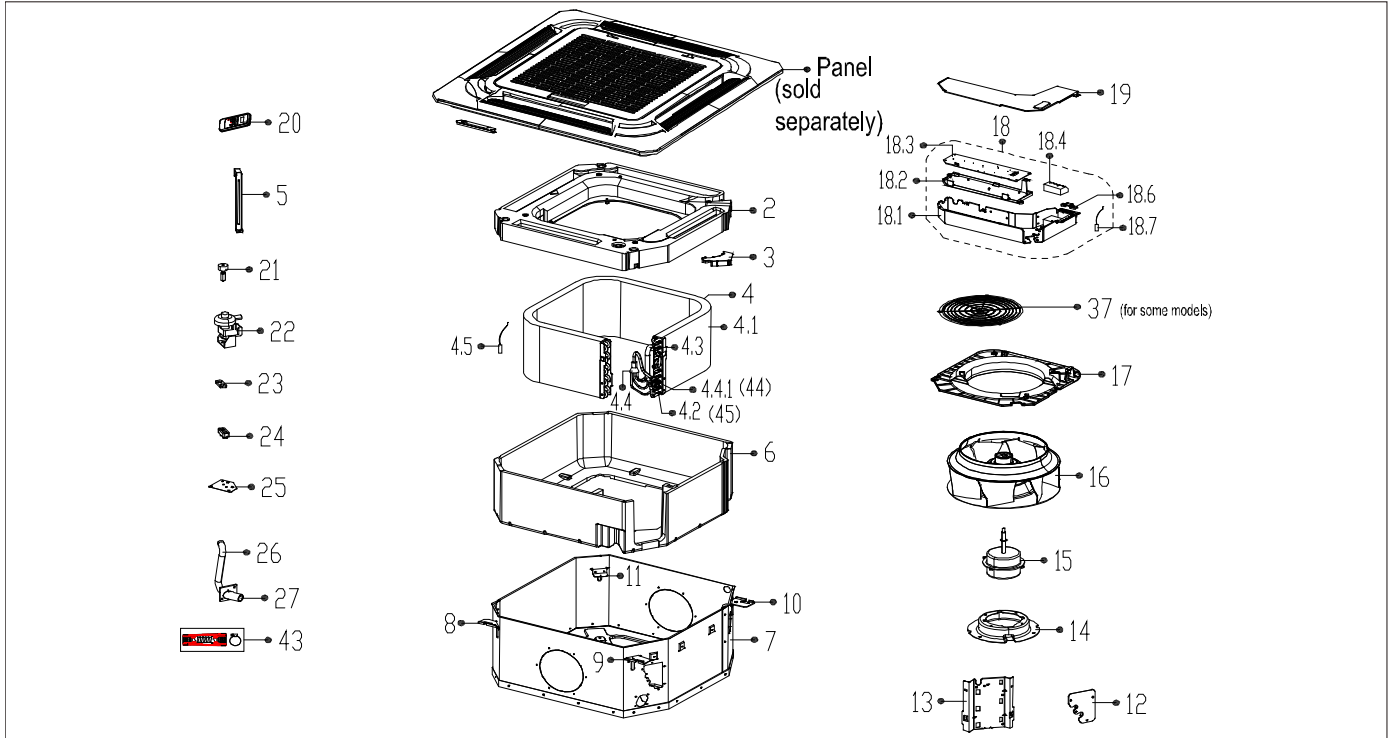


Exploded View

Model TPA-12

ComfortStar®



| EX_ID | Spare Parts Code | Part Name(EN) | Qty. | Price | Remarks | Update |
|-------|------------------|------------------------------------|------|-------|---------------------|----------|
| 2 | 12822500000017 | Water collector assembly | 1 | | | |
| 3 | 12122500000022 | Wire box | 1 | | | |
| 4 | 15822500001723 | Evaporator assembly | 1 | | | |
| 4.1 | 15822500001602 | Evaporator | 1.0 | | | |
| 4.2 | 15122500002900 | Evaporator inlet pipe subassembly | 1 | | | |
| 4.3 | 15122500000226 | Evaporator outlet pipe subassembly | 1.0 | | | |
| 4.4 | 151225000002900 | Evaporator inlet pipe subassembly | 1.0 | | | |
| 4.5 | 11201007002320 | Pipe temperature sensor | 1.0 | | JSN after*19120xxxx | 20230616 |
| | 11201007000070 | | | | JSN after*16206xxxx | 20230616 |
| 5 | 12222500000093 | Evaporator fixing hanger | 1 | | | |
| 6 | 12822500000005 | Base foam subassembly | 1 | | | |
| 7 | 12222500000224 | Chassis assembly | 1 | | | |
| 8 | 12222500000191 | Hook | 1 | | | |
| 9 | 12222500000192 | Hook | 1 | | | |
| 10 | 12222500000190 | Hook | 1 | | | |
| 11 | 12222500000193 | Hook | 1 | | | |

| | | | | | | |
|------|-----------------|--|-----|--|---------------------|----------|
| 12 | 12122500000330 | Pipe fixing board subassembly | 1 | | | |
| 13 | 12222500000197 | Evaporator connecting board | 1 | | | |
| 14 | 12222500000199 | Fan motor base | 1 | | | |
| 15 | 11002015000069 | Brushless DC Motor | 1 | | | |
| 16 | 12100103000089 | centrifuge fan | 1 | | | |
| 17 | 12122500000425 | Ventilation ring | 1 | | | |
| 18 | 17222500A02200 | Electronic control box subassembly | 1 | | JSN after*19120xxxx | 20230616 |
| | 17222500000027 | | | | JSN after*17B11xxxx | 20230616 |
| | 17222500A01898 | | | | JSN after*16605xxxx | 20230616 |
| | 17222500000027 | | | | JSN after*16206xxxx | 20230616 |
| 18.1 | 12222500000165 | Electronic control box | 1.0 | | | |
| 18.2 | 12122500000029 | Insulation plate | 1.0 | | | |
| 18.3 | 17122500A01733 | Main control board subassembly | 1.0 | | JSN after*19120xxxx | 20230616 |
| | 171225000000307 | | | | JSN after*17B11xxxx | 20230616 |
| | 17122500A01428 | | | | JSN after*16605xxxx | 20230616 |
| | 171225000000307 | | | | JSN after*16206xxxx | 20230616 |
| 18.4 | 17400401000075 | Terminal | 1.0 | | | |
| 18.6 | 12200202000004 | Wire clamp | 1.0 | | | |
| 18.7 | 11201007000283 | Room Temperature Sensor | 1.0 | | | |
| 19 | 12222500000209 | Electrical Control Box Cover Subassembly | 1 | | | |
| 20 | 17317000A64087 | Remote controller | 1 | | JSN after*22422xxxx | 20230616 |
| | 17317000A16345 | | | | JSN after*16605xxxx | 20230616 |
| | 17317000A00646 | | | | JSN after*16206xxxx | 20230616 |
| 21 | 17400511000015 | Water level sensor | 1 | | | |
| 22 | 11001010000063 | Induction Pump | 1 | | | |
| 23 | 12622500000005 | Drain pump rubber washer | 1 | | | |
| 24 | 12622500000003 | Drain pump rubber washer | 1 | | | |
| 25 | 12222500000352 | Drain pump installation base | 1 | | | |
| 26 | 12622500000012 | Rubber tube | 1 | | | |
| 27 | 12100510000019 | Drain pipe | 1 | | | |
| 37 | 12122500000604 | Net | 1 | | | |
| 38 | 12122000029201 | Bracket of remote Controller | 1 | | | |
| 43 | 12011600A00310 | Accessory kit | 1 | | | |
| 44 | 15500406000016 | Copper nut | 1 | | | |
| 45 | 15500406000012 | Copper nut | 1 | | | |