



Submittal

Split System Cooling

CWM5-30-15

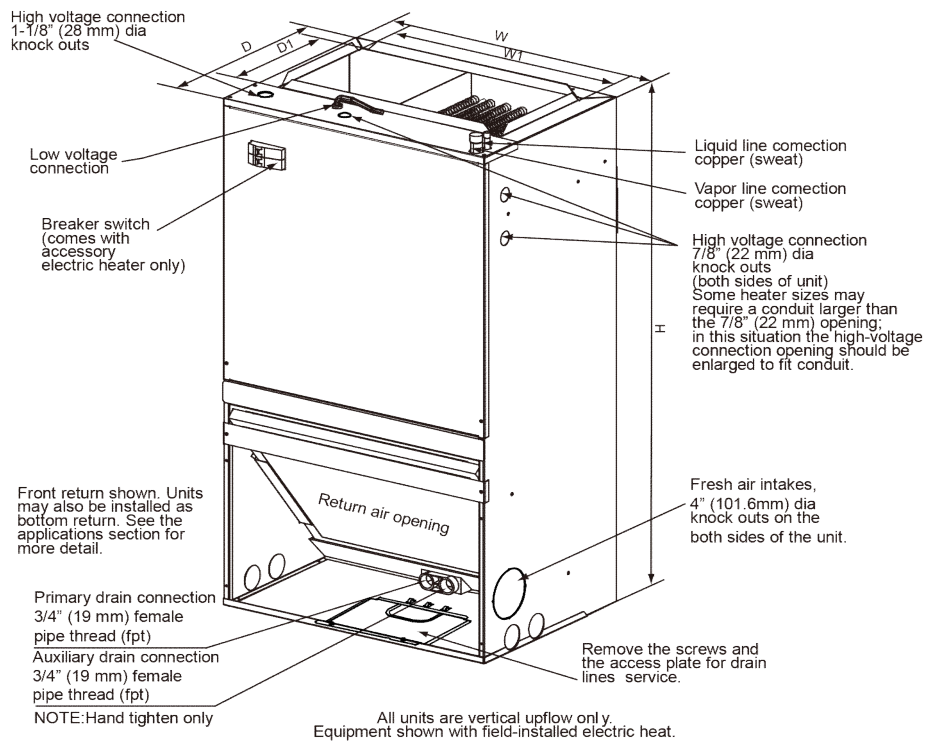
Location: _____
Engineer: _____
Submitted to: _____
Submitted by: _____
Reference: _____

Approval: _____
Date: _____
Construction: _____
Unit # : _____
Drawing # : _____



Note:" Graphics in this document are for representation only. Actual model may differ in appearance."

Indoor unit dimension



| Model | Dimensions [IN.] | | | | | Unit Weight/Shipping Weight Lbs. |
|---------|---------------------|--------------------|---------------------|--------------------|---------------------|----------------------------------|
| | Unit Height "H" IN. | Unit Width "W" IN. | Unit Width "W1" IN. | Unit Depth "D" IN. | Unit Depth "D1" IN. | |
| 18K/24K | 36-1/2 | 20-1/2 | 17-2/5 | 15 | 9-1/2 | 79/95 |
| 30K/36K | 39-1/2 | 22 | 18-4/5 | 19 | 9-1/2 | 97/119 |



Specification

| Indoor unit | | | CWM5-30-15 |
|-------------------------------|----------------------|---------|-----------------------|
| Power supply | Rated Voltage | V-Ph-Hz | 208/230V,1Ph,60Hz |
| | Min. / Max. Voltage | V | 187/253 |
| Cooling | Capacity | Btu/h | 30000 |
| Min. Circuit Amps | | A | 3 |
| Max. over current protection | | A | 15 |
| Indoor fan motor | Type | | ECM |
| | Horsepower (HP) | | 1/2 |
| | Full Load Amps (FLA) | A | 3 |
| | Rated RPM | | 1050 |
| Fan Blower | Material | | Metal |
| | Type | | Centrifugal |
| | Diameter | inch | 10-3/4 |
| | Height | inch | 8 |
| Indoor coil | Type | | Tube & Fin |
| | Tube Material | | Aluminum |
| | Tube Size | inch | 9/32 |
| Indoor air flow (Hi/Mi/Lo) | | m3/h | 1240/1600/1870 |
| Indoor noise level (Hi/Mi/Lo) | | dB(A) | 54 |
| Indoor unit | Dimension(W*D*H) | inch | 22x19x39-1/2 |
| | Packing (W*D*H) | inch | 24-3/16x21-1/4x44-7/8 |
| | Net/Gross weight | lbs | 97/119 |
| Refrigerant piping | Liquid side | inch | 3/8 |
| | Gas side | inch | 3/4 |
| Thermostat type | | | Remote Control |
| Operation temperature range | cooling | °F | 55-115 |
| | heating | °F | / |

| Outdoor Unit | Indoor Unit | Cooling Capacity | EER2 | SEER2 |
|--------------|-------------|------------------|------|-------|
| BAR5-24-15 | CWM5-30-15 | 24000 | 12 | 15.2 |
| BAR5-30-15 | CWM5-30-15 | 28800 | 12 | 15.2 |
| BAR5-36-15 | CWM5-30-15 | 35600 | 11.7 | 14.3 |
| MAH5-24-410 | CWM5-30-15 | 24000 | 11.7 | 14.3 |
| MAH5-30-410 | CWM5-30-15 | 28400 | 11.7 | 14.3 |
| MAH5-36-410 | CWM5-30-15 | 34800 | 11.7 | 14.3 |

Electric Heater Kits

| NO. | Kit | Description | Ref. Air Handler Use |
|-----|----------|---------------------------------------|----------------------|
| 1 | CHE2-05B | 5kW Heat Strip | 18/24/30/36 |
| 2 | CHE2-08B | 7.5kW Heat Strip | 18/24/30/36 |
| 3 | CHE2-10B | 10kW Heat Strip | 18/24/30/36 |
| 4 | CHE2-15B | 15kW Heat Strip, double Breaker panel | 18/24/30/36 |
| 5 | CHE2-20B | 20kW Heat Strip, double Breaker panel | 18/24/30/36 |

Electric Kit Mca/Mop Data

| Heater Kit Model Used | Air Handler Model | Electric Heat (kW) | Min. Circuit Ampacity | | Max. Fuse or Breaker (HACR) Ampacity | | Fan speed (AC/HP) | | |
|-----------------------|-------------------|--------------------|-----------------------|-----------|--------------------------------------|-------|-------------------|--------|------|
| | | | 240V | 208V | 240V | 208V | Low | Medium | High |
| CHE2-05B | 18 | 5 | 28.1 | 24.6 | 30 | 25 | ● | ● | ● |
| CHE2-08B | | 7.5 | 41.1 | 35.9 | 45 | 40 | ● | ● | ● |
| CHE2-10B | | 10 | 54.1 | 47.2 | 60 | 50 | ● | ● | ● |
| CHE2-05B | 24 | 5 | 29 | 25.5 | 30 | 30 | ● | ● | ● |
| CHE2-08B | | 7.5 | 42 | 36.8 | 45 | 40 | ● | ● | ● |
| CHE2-10B | | 10 | 55 | 48.1 | 60 | 50 | ● | ● | ● |
| CHE2-05B | 30 | 5 | 29.4 | 25.9 | 30 | 30 | ● | ● | ● |
| CHE2-08B | | 7.5 | 42.4 | 37.2 | 45 | 40 | ● | ● | ● |
| CHE2-10B | | 10 | 55.4 | 48.5 | 60 | 50 | ● | ● | ● |
| CHE2-15B | 36 | 15 | 55.4/26.1 | 48.5/22.6 | 60/30 | 50/25 | ● | ● | ● |
| CHE2-05B | | 5 | 29.4 | 25.9 | 30 | 30 | ● | ● | ● |
| CHE2-08B | | 7.5 | 42.4 | 37.2 | 45 | 40 | ● | ● | ● |
| CHE2-10B | | 10 | 55.4 | 48.5 | 60 | 50 | ● | ● | ● |
| CHE2-15B | | 15 | 55.4/26.1 | 48.5/22.6 | 60/30 | 50/25 | ● | ● | ● |
| CHE2-20B | | 20 | 55.4/52.1 | 48.5/45.2 | 60/60 | 60/50 | ● | ● | ● |

ComfortStar®

12201 N W 107th Avenue
Miami, FL 33178
1.866.524.9898 Toll Free
305.500.9898 Office
305.500.9896 Fax
<http://www.comfortstarusa.com>



The AHRI mark indicates Comfortstar participating in the AHRI Certification program. Visit ahridirectory.org for verification of individual certified products. Comfortstar reserves the right to change design and specs without notice. Comfortstar has a policy of update the data continuously. We are committed to using environmentally conscious print practices.

CWM5-30-15 24 Nov 2022
Supersedes CWM5-30-15 (Nov.2022)

© 2022 ComfortStar