



# Submittal

## Split System Cooling

CWM5-36-15

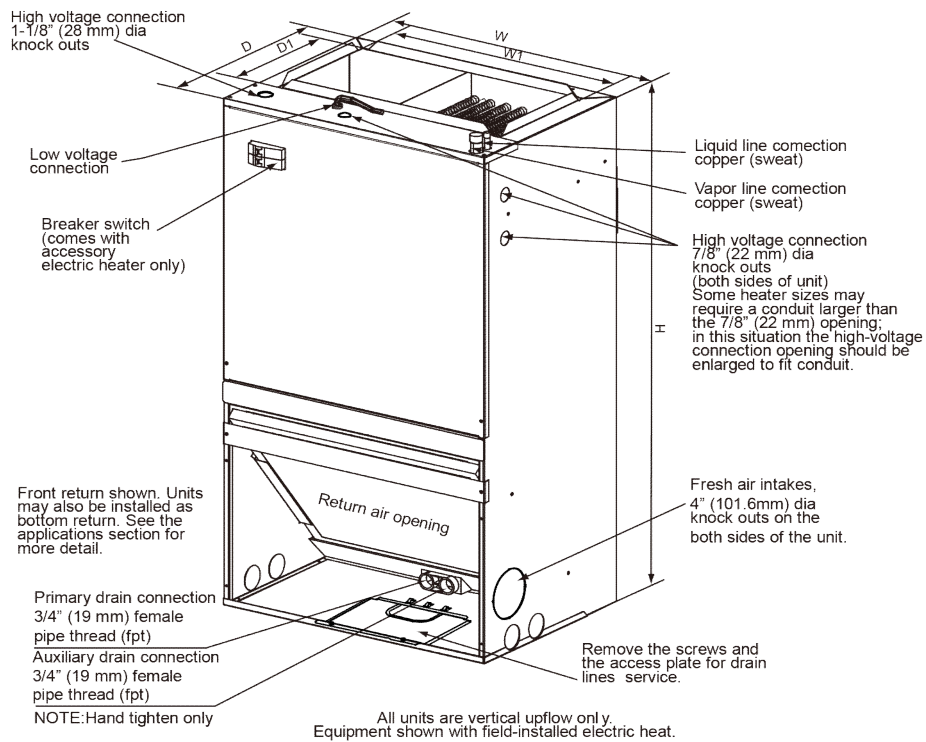
Location: \_\_\_\_\_  
Engineer: \_\_\_\_\_  
Submitted to: \_\_\_\_\_  
Submitted by: \_\_\_\_\_  
Reference: \_\_\_\_\_

Approval: \_\_\_\_\_  
Date: \_\_\_\_\_  
Construction: \_\_\_\_\_  
Unit # : \_\_\_\_\_  
Drawing # : \_\_\_\_\_



Note: " Graphics in this document are for representation only. Actual model may differ in appearance."

## Indoor unit dimension



| Model   | Dimensions [IN.]    |                    |                     |                    |                     | Unit Weight/Shipping Weight Lbs. |
|---------|---------------------|--------------------|---------------------|--------------------|---------------------|----------------------------------|
|         | Unit Height "H" IN. | Unit Width "W" IN. | Unit Width "W1" IN. | Unit Depth "D" IN. | Unit Depth "D1" IN. |                                  |
| 18K/24K | 36-1/2              | 20-1/2             | 17-2/5              | 15                 | 9-1/2               | 79/95                            |
| 30K/36K | 39-1/2              | 22                 | 18-4/5              | 19                 | 9-1/2               | 97/119                           |



## Specification

| Indoor unit                   |                      |         | CWM5-36-15            |
|-------------------------------|----------------------|---------|-----------------------|
| Power supply                  | Rated Voltage        | V-Ph-Hz | 208/230V,1Ph,60Hz     |
|                               | Min. / Max. Voltage  | V       | 187/253               |
| Cooling                       | Capacity             | Btu/h   | 36000                 |
| Min. Circuit Amps             |                      | A       | 3                     |
| Max. over current protection  |                      | A       | 15                    |
| Indoor fan motor              | Type                 |         | ECM                   |
|                               | Horsepower (HP)      |         | 1/2                   |
|                               | Full Load Amps (FLA) | A       | 3                     |
|                               | Rated RPM            |         | 1050                  |
| Fan Blower                    | Material             |         | Metal                 |
|                               | Type                 |         | Centrifugal           |
|                               | Diameter             | inch    | 10-3/4                |
|                               | Height               | inch    | 8                     |
| Indoor coil                   | Type                 |         | Tube & Fin            |
|                               | Tube Material        |         | Aluminum              |
|                               | Tube Size            | inch    | 9/32                  |
| Indoor air flow (Hi/Mi/Lo)    |                      | m3/h    | 1600/1870/1960        |
| Indoor noise level (Hi/Mi/Lo) |                      | dB(A)   | 54                    |
| Indoor unit                   | Dimension(W*D*H)     | inch    | 22x19x39-1/2          |
|                               | Packing (W*D*H)      | inch    | 24-3/16x21-1/4x44-7/8 |
|                               | Net/Gross weight     | lbs     | 97/119                |
| Refrigerant piping            | Liquid side          | inch    | 3/8                   |
|                               | Gas side             | inch    | 3/4                   |
| Thermostat type               |                      |         | Remote Control        |
| Operation temperature range   | cooling              | °F      | 55-115                |
|                               | heating              | °F      | /                     |

| Outdoor Unit | Indoor Unit | Cooling Capacity | EER2 | SEER2 |
|--------------|-------------|------------------|------|-------|
| BAR5-30-15   | CWM5-36-15  | 28800            | 12   | 15.2  |
| BAR5-36-15   | CWM5-36-15  | 35600            | 11.7 | 14.3  |
| MAH5-30-410  | CWM5-36-15  | 28200            | 11.7 | 14.3  |
| MAH5-36-410  | CWM5-36-15  | 34800            | 11.7 | 14.3  |

### Electric Heater Kits

| NO. | Kit      | Description                           | Ref. Air Handler Use |
|-----|----------|---------------------------------------|----------------------|
| 1   | CHE2-05B | 5kW Heat Strip                        | 18/24/30/36          |
| 2   | CHE2-08B | 7.5kW Heat Strip                      | 18/24/30/36          |
| 3   | CHE2-10B | 10kW Heat Strip                       | 18/24/30/36          |
| 4   | CHE2-15B | 15kW Heat Strip, double Breaker panel | 18/24/30/36          |
| 5   | CHE2-20B | 20kW Heat Strip, double Breaker panel | 18/24/30/36          |

### Electric Kit Mca/Mop Data

| Heater Kit Model Used | Air Handler Model | Electric Heat (kW) | Min. Circuit Ampacity |           | Max. Fuse or Breaker (HACR) Ampacity |       | Fan speed (AC/HP) |        |      |
|-----------------------|-------------------|--------------------|-----------------------|-----------|--------------------------------------|-------|-------------------|--------|------|
|                       |                   |                    | 240V                  | 208V      | 240V                                 | 208V  | Low               | Medium | High |
| CHE2-05B              | 18                | 5                  | 28.1                  | 24.6      | 30                                   | 25    | ●                 | ●      | ●    |
| CHE2-08B              |                   | 7.5                | 41.1                  | 35.9      | 45                                   | 40    | ●                 | ●      | ●    |
| CHE2-10B              |                   | 10                 | 54.1                  | 47.2      | 60                                   | 50    | ●                 | ●      | ●    |
| CHE2-05B              | 24                | 5                  | 29                    | 25.5      | 30                                   | 30    | ●                 | ●      | ●    |
| CHE2-08B              |                   | 7.5                | 42                    | 36.8      | 45                                   | 40    | ●                 | ●      | ●    |
| CHE2-10B              |                   | 10                 | 55                    | 48.1      | 60                                   | 50    | ●                 | ●      | ●    |
| CHE2-05B              | 30                | 5                  | 29.4                  | 25.9      | 30                                   | 30    | ●                 | ●      | ●    |
| CHE2-08B              |                   | 7.5                | 42.4                  | 37.2      | 45                                   | 40    | ●                 | ●      | ●    |
| CHE2-10B              |                   | 10                 | 55.4                  | 48.5      | 60                                   | 50    | ●                 | ●      | ●    |
| CHE2-15B              | 36                | 15                 | 55.4/26.1             | 48.5/22.6 | 60/30                                | 50/25 | ●                 | ●      | ●    |
| CHE2-05B              |                   | 5                  | 29.4                  | 25.9      | 30                                   | 30    | ●                 | ●      | ●    |
| CHE2-08B              |                   | 7.5                | 42.4                  | 37.2      | 45                                   | 40    | ●                 | ●      | ●    |
| CHE2-10B              |                   | 10                 | 55.4                  | 48.5      | 60                                   | 50    | ●                 | ●      | ●    |
| CHE2-15B              |                   | 15                 | 55.4/26.1             | 48.5/22.6 | 60/30                                | 50/25 | ●                 | ●      | ●    |
| CHE2-20B              |                   | 20                 | 55.4/52.1             | 48.5/45.2 | 60/60                                | 60/50 | ●                 | ●      | ●    |

# ComfortStar®

12201 N W 107th Avenue  
Miami, FL 33178  
1.866.524.9898 Toll Free  
305.500.9898 Office  
305.500.9896 Fax  
<http://www.comfortstarusa.com>

---



The AHRI mark indicates Comfortstar participating in the AHRI Certification program. Visit [ahridirectory.org](http://ahridirectory.org) for verification of individual certified products. Comfortstar reserves the right to change design and specs without notice. Comfortstar has a policy of update the data continuously. We are committed to using environmentally conscious print practices.

CWM5-36-15 24 Nov 2022  
Supersedes CWM5-36-15 (Nov.2022)

© 2022 ComfortStar