



Submittal

Split System Cooling

LUC5-18-15

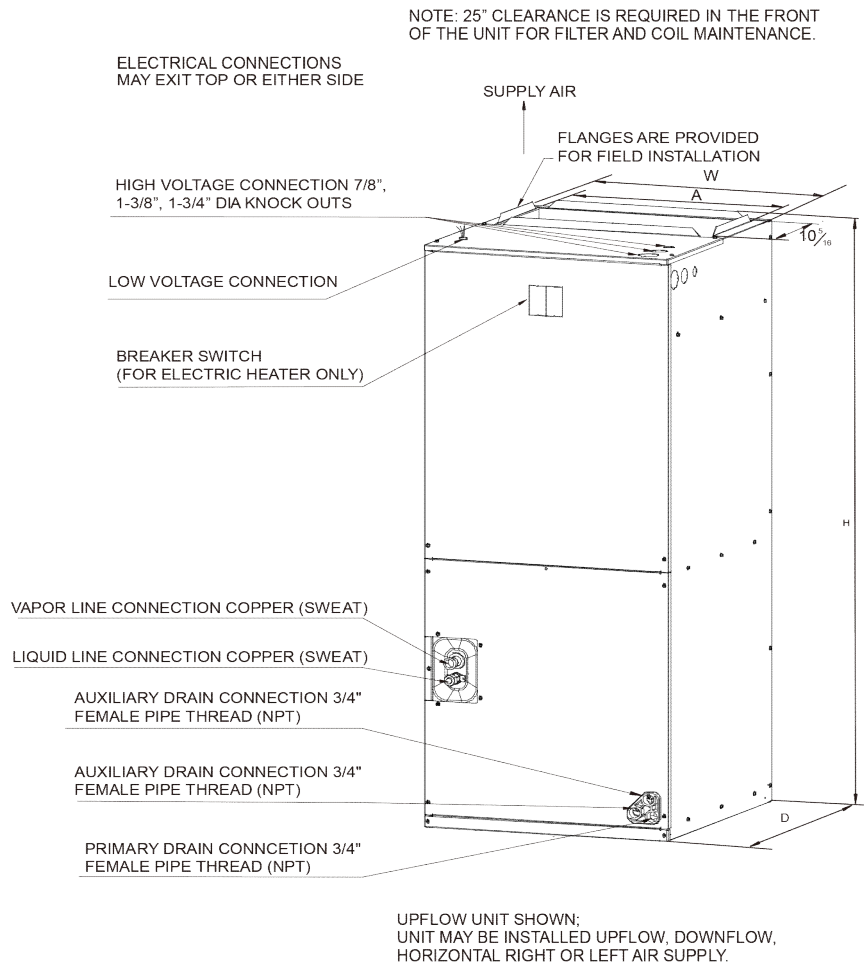
Location: _____
Engineer: _____
Submitted to: _____
Submitted by: _____
Reference: _____

Approval: _____
Date: _____
Construction: _____
Unit # : _____
Drawing # : _____



Note:" Graphics in this document are for representation only. Actual model may differ in appearance."

Indoor unit dimension



UNIT DIMENSION AND WEIGHTS	18K	24K	36K	48K	60K
Height(in.)	41-3/8	46-1/2	46-1/2	54-1/2	54-1/2
Width(in.)	18-1/8	19-5/8	19-5/8	22	22
Depth(in.)	20-1/2	21-5/8	21-5/8	24	24
Weight(lbs.)	108	128	128	159	161



Specification

Indoor unit			LUC5-18-15
Power supply	Rated Voltage	V-Ph-Hz	208/230V,1Ph,60Hz
	Min. / Max. Voltage	V	187/253
Min. Circuit Amps		A	2
Max. over current protection		A	15
Indoor fan motor	Type		PSC
	Horsepower (HP)		1/5
	Full Load Amps (FLA)	A	2
	Rated RPM		755
Fan Blower	Material		Metal
	Type		Centrifugal
	Diameter	inch	10-5/8
	Height	inch	10-3/4
Indoor coil	Type		Tube & Fin
	Tube Material		Aluminum
	Tube Size	inch	9/32
Indoor air flow (Hi/Mi/Lo)		m3/h	690/1000/1170
Indoor noise level (Hi/Mi/Lo)		dB(A)	48/47/42
Indoor unit	Dimension(W*D*H)	inch	18-1/8x20-1/2x41-3/8
	Packing (W*D*H)	inch	20-3/4x24-3/16x42
	Net/Gross weight	lbs	108
Refrigerant piping	Liquid side	inch	3/8
	Gas side	inch	3/4
Thermostat type			Remote Control
Operation temperature range	cooling	°F	55-115
	heating	°F	/

Outdoor Unit	Indoor Unit	Cooling Capacity	EER2	SEER2
BAR5-18-15	LUC5-18-15+TXV	18000	11.7	14.3
BAR5-24-15	LUC5-18-15+TXV	23200	11.7	14.3
MAH5-18-410	LUC5-18-15	18000	11.2	13.4
MAH5-24-410	LUC5-18-15	23000	11.2	13.4

Electric Heater Kits

NO.	Kit	Description	Ref. Air Handler Use
1	CHE2-05B	5kW Heat Strip	18/24//30/36/42/48/60
2	CHE2-08B	7.5kW Heat Strip	18/24//30/36/42/48/60
3	CHE2-10B	10kW Heat Strip	18/24//30/36/42/48/60
4	CHE2-15B	15kW Heat Strip, double Breaker panel	30/36/42/48/60
5	CHE2-20B	20kW Heat Strip, double Breaker panel	36/42/48/60

Electric Kit Mca/Mop Data

Heater Kit Model Used	Air Handler Model	Electric Heat (kW)	Min. Circuit Ampacity		Max. Fuse or Breaker (HACR) Ampacity		Fan speed (AC/HP)		
			240V	208V	240V	208V	Low	Medium	High
CHE2-05B	18	5	28.1	24.6	30	25	●	●	●
CHE2-08B		7.5	41.1	35.9	45	40	●	●	●
CHE2-10B		10	54.1	47.2	60	50	●	●	●
CHE2-05B	24	5	29	25.5	30	30	●	●	●
CHE2-08B		7.5	42	36.8	45	40	●	●	●
CHE2-10B		10	55	48.1	60	50	●	●	●
CHE2-05B	30	5	29.4	25.9	30	30	●	●	●
CHE2-08B		7.5	42.4	37.2	45	40	●	●	●
CHE2-10B		10	55.4	48.5	60	50	●	●	●
CHE2-15B	36	15	55.4/26.1	48.5/22.6	60/30	50/25	●	●	●
CHE2-05B		5	29.4	25.9	30	30	●	●	●
CHE2-08B		7.5	42.4	37.2	45	40	●	●	●
CHE2-10B		10	55.4	48.5	60	50	●	●	●
CHE2-15B		15	55.4/26.1	48.5/22.6	60/30	50/25	●	●	●
CHE2-20B		20	55.4/52.1	48.5/45.2	60/60	60/50	●	●	●
CHE2-05B	42	5	30.3	26.8	35	30	--	●	●
CHE2-08B		7.5	43.3	38.1	45	40	--	●	●
CHE2-10B		10	56.3	49.4	60	50	--	●	●
CHE2-15B		15	56.3/26.1	49.4/22.6	60/30	50/25	--	●	●
CHE2-20B		20	56.3/52.1	49.4/45.2	60/60	50/50	--	●	●
CHE2-05B		48	5	30.3	26.8	35	30	--	--
CHE2-08B	7.5		43.3	38.1	45	40	--	--	●
CHE2-10B	10		56.3	49.4	60	50	--	--	●
CHE2-15B	15		56.3/26.1	49.4/22.6	60/30	50/25	--	--	●
CHE2-20B	20		56.3/52.1	49.4/45.2	60/60	50/50	--	--	●
CHE2-05B	60		5	31.8	28.3	35	30	●	●
CHE2-08B		7.5	44.8	39.6	45	40	●	●	●
CHE2-10B		10	57.8	50.9	60	60	●	●	●
CHE2-15B		15	57.8/26.1	50.9/22.6	60/30	60/25	●	●	●
CHE2-20B		20	57.8/52.1	50.9/45.2	60/60	60/50	●	●	●

ComfortStar®

12201 N W 107th Avenue
Miami, FL 33178
1.866.524.9898 Toll Free
305.500.9898 Office
305.500.9896 Fax
<http://www.comfortstarusa.com>



The AHRI mark indicates Comfortstar participating in the AHRI Certification program. Visit ahridirectory.org for verification of individual certified products. Comfortstar reserves the right to change design and specs without notice. Comfortstar has a policy of update the data continuously. We are committed to using environmentally conscious print practices.

LUC5-18-15 24 Nov 2022
Supersedes LUC5-18-15 (Nov.2022)

© 2022 ComfortStar