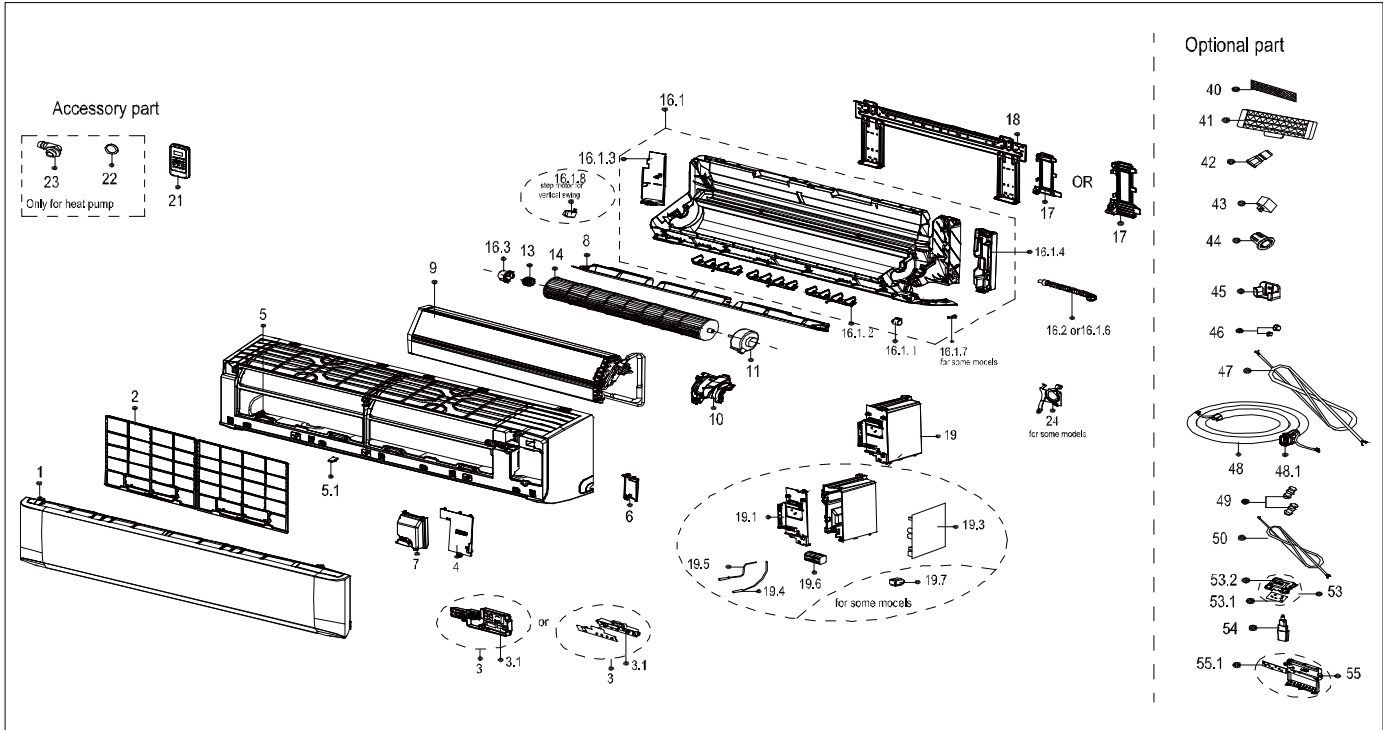


Exploded View

Model CARAT18CD(I)-M

ComfortStar®



EX_ID	Spare Parts Code	Part Name(EN)	Qty.	Price	Remarks	Update
1	12122000A89264	Panel assembly	1.0			
	12122000A90664				CSN after*23104xxxx	20230705
2	12100204000397	Air filter	2.0			
3	17222000030895	Display box assembly	1.0			
	17222000A66037				CSN after*23104xxxx	20230705
3.1	17122000047923	Display board assembly	1.0			
	17122000A40617				CSN after*23104xxxx	20230705
4	12122000024739	Cover for electrical parts	1.0			
	12122000A89010				CSN after*23104xxxx	20230705
5	12122000025561	Panel frame assembly	1.0			
	12122000A88964				CSN after*23104xxxx	20230705
5.1	12122000013139	Screw cover	1.0			
	12122000A88984				CSN after*23104xxxx	20230705
6	12122000004592	Right cover of chassis	1.0			
7	12122000025064	Cover of wiring terminal	1.0			
8	12122000025565	Horizontal louver	1.0			

	12122000032316				CSN after*23104xxxx	20230705
9	15822000008720	evaporator assembly	1.0			
10	12122000005538	Cover, fan motor	1.0			
11	11002015011867	Motor	1.0			
13	12622000000131	bearing base	1.0			
14	12100102000131	Cross flow fan	1.0			
16	12122000028301	Chassis assembly	1.0			
16.1	12122000028302	Chassis assembly	1.0			
16.1.1	11002010000077	Stepper motor	1.0			
16.1.2	12122000008961	louver assembly	3.0			
16.1.3	12122000004612	Left cover of chassis	1.0			
16.1.4	12122000026403	Electric control box bracket	1.0			
16.1.6	12100501000032	Drain pipe joint	1.0			
16.1.7	12122000000344	Insulated axis	1.0			
16.3	12122000000350	bearing holder	1.0			
17	12122000012941	Pipe clamp board	1.0			
18	12222000000026	Installation plate	1.0			
19	17222000034257	Structural components of indoor electric control box	1.0			
19.1	12122000025621	Cover of electronic control box	1.0			
19.3	17122000051947	Indoor main control board subassembly	1.0			
19.4	11201007003424	Ambient temperature sensor subassembly	1.0			
19.5	11201007003447	Pipe temperature sensor subassembly	1.0			
19.6	17400401000576	Terminal block	1.0			
21	17317000007216	remote controller	1.0			
	17317000A66256				CSN after*23104xxxx	20230705
24	12222000004704	pipe connect board	1.0			
40	12100204000685	Air freshening filter	1.0			
46	15500406000016	Copper nut	1.0			
46	15500406000012	Copper nut	1.0			
47	17401203026700	Indoor and Outdoor Junction Cable			CSN after*23104xxxx	20230705
54	17310900A09723	WIFI module subassembly			CSN after*23104xxxx	20230705