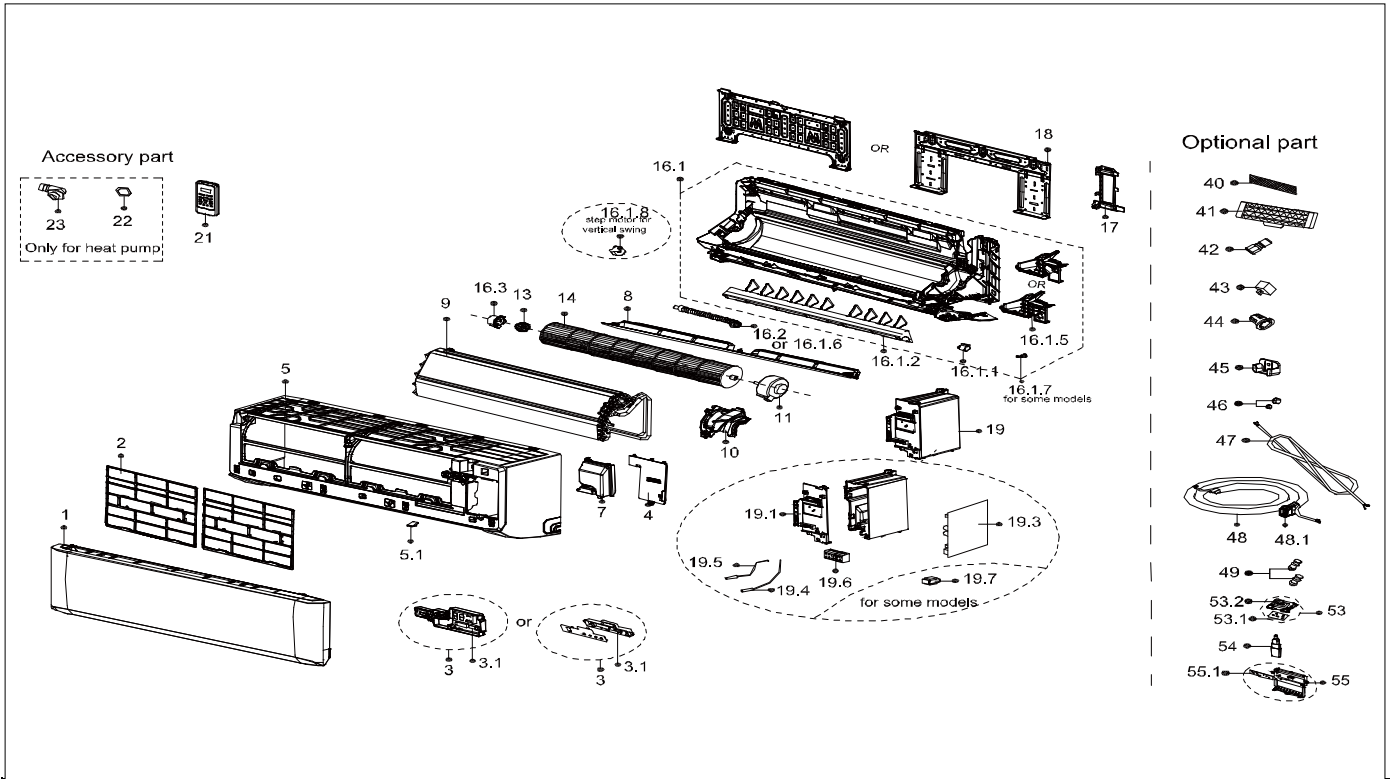


# Exploded View

Model CARAT12CD(I)-M

# ComfortStar®



EX_ID	Spare Parts Code	Part Name(EN)	Qty.	Price	Remarks	Update
1	12122000A89255	Panel assembly	1.0			
	12122000A90681				CL,no shipdate	20230705
2	12100204000522	Air filter	2.0			
3	17222000034555	Display box assembly	1.0			
	17222000A66038				CL,no shipdate	20230705
3.1	17122000052326	Display board assembly	1.0			
	17122000A40584				CL,no shipdate	20230705
4	12122000024739	Cover for electrical parts	1.0			
	12122000A89010				CL,no shipdate	20230705
5	12122000025543	Panel frame assembly	1.0			
	12122000A88989				CL,no shipdate	20230705
5.1	12122000013139	Screw cover	1.0			
	12122000A88984				CL,no shipdate	20230705
7	12122000025064	Cover of wiring terminal	1.0			
8	12122000025544	Horizontal louver	1.0			
	12122000A88990				CL,no shipdate	20230705

9	15822000012906	evaporator assembly	1.0			
10	12122000029503	Cover, fan motor	1.0			
11	11002015012989	Motor	1.0			
13	12622000000131	bearing base	1.0			
14	12100102000576	Cross flow fan	1.0			
16	12122000027924	Chassis assembly	1.0			
16.1	12122000027923	Chassis assembly	1.0			
16.1.1	11002010000143	Stepper motor	1.0			
16.1.2	12122000024736	louver assembly	1.0			
16.1.5	12122000024735	Ratproof baffle	1.0			
16.1.6	12100501000032	Drain pipe joint	1.0			
16.1.7	12122000000344	Insulated axis	1.0			
16.3	12122000000350	bearing holder	1.0			
17	12122000012943	Pipe clamp board	1.0			
18	12222000000018	Installation plate	1.0			
19	17222000039548	Structural components of indoor electric control box	1.0			
19.1	12122000025621	Cover of electronic control box	1.0			
19.3	17122000057819	Indoor main control board subassembly	1.0			
19.4	11201007003424	Ambient temperature sensor subassembly	1.0			
19.5	11201007003447	Pipe temperature sensor subassembly	1.0			
19.6	17400401000576	Terminal block	1.0			
21	17317000007216	remote controller	1.0			
	17317000A66256				CL,no shipdate	20230705
40	12100204000685	Air freshening filter	1.0			
46	15500406000016	Copper nut	1.0			
46	15500406000012	Copper nut	1.0			