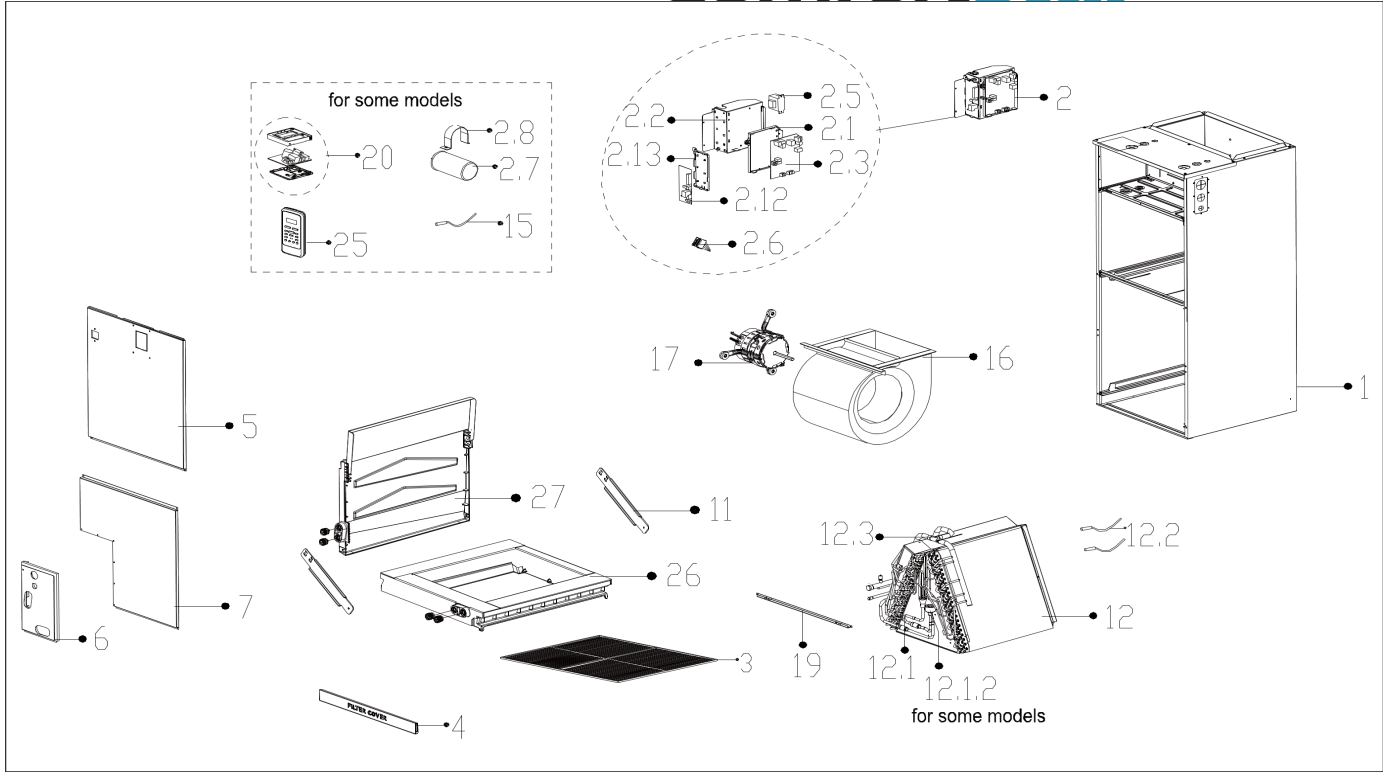


# Exploded View

Model AHU18-SG2

ComfortStar®



EX_ID	Spare Parts Code	Part Name(EN)	Qty.	Price	Remarks	Update
1	12223100000662	Chassis assembly	1			
2	17223000007762	Duct electronic control box subassembly	1			
2.1	12123000000920	Installation plate for main board	1			
2.2	12223100000876	E-part box Subassembly	1		JSN after*22A24xxxx	
	12223100000631				CSN after*22314xxxx	20230608
2.3	17123000007977	Duct main control board subassembly	1			
2.5	11203103000087	Linear Transformer	1			
2.6	17400401000085	Wire joint	1			
2.12	17122000058548	Data transfer module control board printed board subassembly	1		JSN after*22422xxxx	
	17122000055387				CSN after*22418xxxx	
	17122000058548				JSN after*22314xxxx	20230608
2.13	12120300000522	Bracket of main control board	1			
3	12223000014170	Air filter	1			
4	12223100000654	Dust mesh	1			
5	12223100000664	Upper Cover Plate assembly	1			
6	12223100000711	Clamp for connecting pipe assembly	1			

7	12223100000666	Under Cover Plate assembly	1			
11	12223100000663	Bracket for Water collector	2			
12	15823100000624	Evaporator assembly	1			
12.1	15123000013127	Evaporator inlet pipe subassembly	1			
12.1.2	15500213000176	Electronic expansion valve body	1			
12.2	11201007004863	Pipe temperature sensor	1			
12.2	11201007003441	Pipe Temperature Sensor	1			
12.3	15123000012867	Evaporator outlet pipe subassembly	1			
15	11201007003563	Room Temperature Sensor	1			
16	12200101000018	Fan ass'y	1			
17	11002015013969	Brushless DC Motor	1			
19	12223100000665	Clamp for Cover Plate assembly	1			
20	17317100006495	Wired controller	1			
25	17317000A63487	Remote controller	1			
26	12123100000025	Main Water collector assembly	1			
27	12123100000026	Deputy Water collector assembly	1			
30	15123000012887	Evaporator connecting pipe subassembly	1		<a href="#">add.CSN after*22A24xxxx</a>	
30	15123000012948	Evaporator connecting pipe subassembly	1		<a href="#">add.CSN after*22A24xxxx</a>	20230629