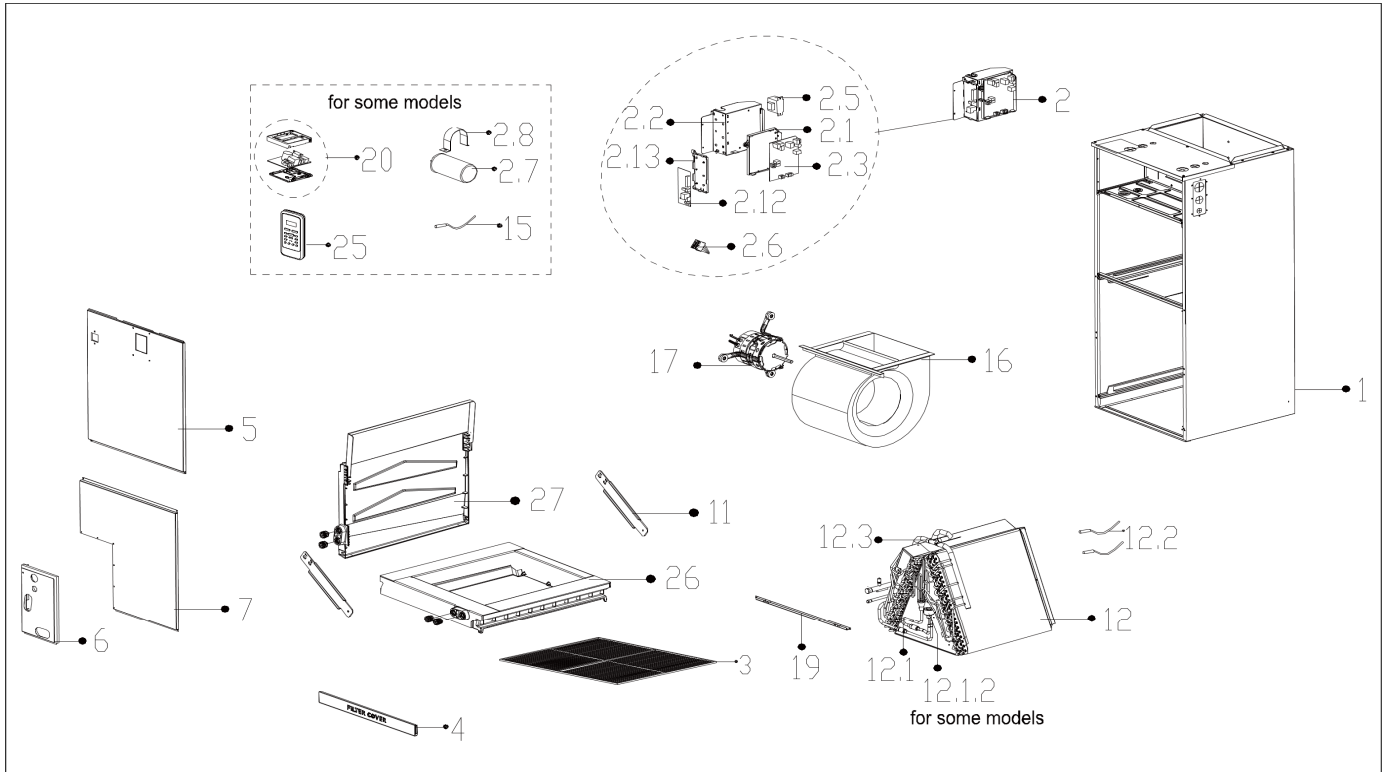


Exploded View

ComfortStar®

Model

AHU30-SG2



EX_ID	Spare Parts Code	Part Name(EN)	Qty.	Price	Remarks	Update
1	12223100000659	Chassis assembly	1			
2	17223000007762	Duct electronic control box subassembly	1		JSN after *21723xxxx	20230608
2.1	12123000000920	Installation plate for main board	1			
2.2	12223100000876	E-part box Subassembly			CSN after *22A24xxxx	20230608
	12223100000631				JSN after *21723xxxx	
2.3	17123000007977	Duct main control board subassembly	1			
2.5	11203103000087	Linear Transformer	1			
2.6	17400401000085	Wire joint	1			
2.12	17122000058548	Data transfer module control board printed board subassembly	1		CSN after *22A24xxxx	20230608
	17122000055387				CSN after *22418xxxx	
	17122000058548				JSN after *21723xxxx	
2.13	12120300000522	Bracket of main control board	1			
3	12223000014171	Air filter	1			
4	12223100000652	Dust mesh	1			

5	12223100000667	Upper Cover Plate assembly	1			
6	12223100000711	Clamp for connecting pipe assembly	1			
7	12223100000653	Under Cover Plate assembly	1			
11	12223100000663	Bracket for Water collector	2			
12	15823100000745	Evaporator assembly	1			
12.1	15123000013329	Evaporator inlet pipe subassembly	1			
12.1.2	15500213000265	Electronic expansion valve body	1			
12.2	11201007003437	Pipe Temperature Sensor	1			
12.2	11201007004863	Pipe temperature sensor	1			
12.3	15123000013350	Evaporator outlet pipe subassembly	1			
15	11201007004864	Room Temperature Sensor	1			
16	12200101000253	centrifuge fan assembly	1			
17	11002015015864	Brushless DC Motor	1		JSN after *21B22xxxx	20230608
	11002015013970				JSN after *21723xxxx	
19	12223100000657	Clamp for Cover Plate assembly	1			
20	17317100A34929	Wired controller	1		CSN after *22418xxxx	20230608
	17317100006495				JSN after *21B22xxxx	
	17317100006115				JSN after *21723xxxx	
25	17317000A63487	Remote controller	1		JSN after *21B22xxxx	20230608
	17317000A62645				JSN after *21723xxxx	
26	12123100000024	Main Water collector assembly	1			
27	12123100000028	Deputy Water collector assembly	1			
30	15123000012887	Evaporator connecting pipe subassembly	1		add.CSN after *22A24xxxx	20230629
30	15123000012948	Evaporator connecting pipe subassembly	1		add.CSN after *22A24xxxx	