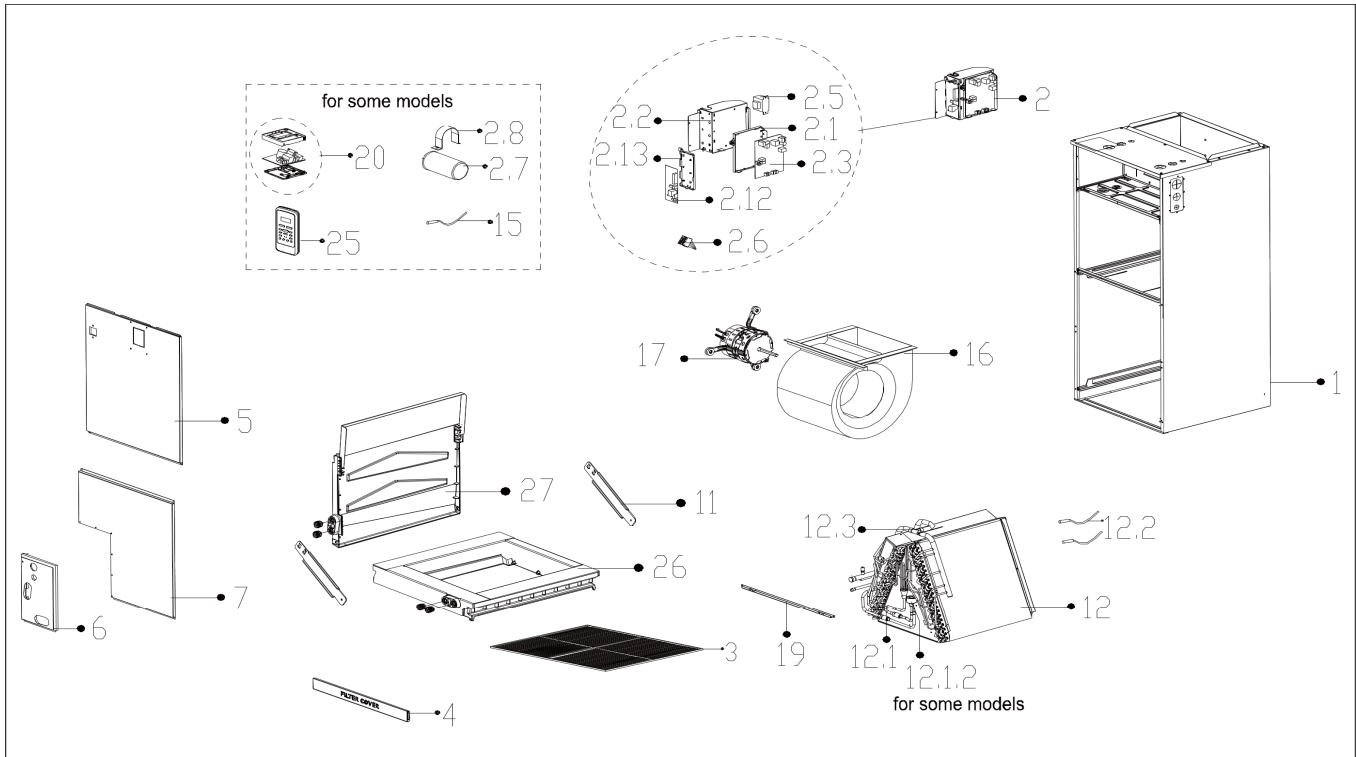


# Exploded View

Model AHU36-SG2

ComfortStar®



EX_ID	Spare Parts Code	Part Name(EN)	Qty.	Price	Remarks	Update
1	12223100A00170	Chassis assembly	1			
2	17223000009544	Duct electronic control box subassembly	1		JSN after *23319xxxx	20230608
	17223000007763				JSN after *21723xxxx	
2.1	12123000000920	Installation plate for main board	1			
2.2	12223100000876	E-part box Subassembly	1		JSN after *22A24xxxx	
	12223100000631				JSN after *21723xxxx	
2.3	17123000010342	Duct main control board subassembly	1		JSN after *23319xxxx	
	17123000007980				JSN after *21723xxxx	
2.5	11203103002659	Linear Transformer	1		JSN after *23319xxxx	20230608
	11203103000087				JSN after *21723xxxx	
2.6	17400401000085	Wire joint	1			
2.12	17122000059682	Data transfer module control board printed board subassembly	1		JSN after *23319xxxx	
	17122000058548				JSN after *22A24xxxx	
	17122000055387				JSN after *22419xxxx	

	17122000058548			JSN after *21723xxxx	20230608
2.13	12120300000522	Bracket of main control board	1		
3	12223000014171	Air filter	1		
4	12223100000652	Dust mesh	1		
5	12223100A00172	Upper Cover Plate assembly	1		
6	12223100000711	Clamp for connecting pipe assembly	1		
7	12223100A00171	Under Cover Plate assembly	1		
11	12223100000663	Bracket for Water collector	2		
12	15823100000745	Evaporator assembly	1		
12.1	15123000013329	Evaporator inlet pipe subassembly	1		
12.1.2	15500213000265	Electronic expansion valve body	1		
12.2	11201007004863	Pipe temperature sensor	1		
12.2	11201007003437	Pipe Temperature Sensor	1		
12.3	15123000013350	Evaporator outlet pipe subassembly	1		
15	11201007004864	Room Temperature Sensor	1		
16	12200101000253	centrifuge fan assembly	1		
17	11002015015864	Brushless DC Motor	1	JSN after *21B22xxxx	20230608
	11002015013970			JSN after *21723xxxx	
19	12223100000657	Clamp for Cover Plate assembly	1		
20	17317100008515	Wired controller	1	JSN after *23319xxxx	20230608
	17317100006495			JSN after *21B22xxxx	
	17317100006115			JSN after *21723xxxx	
25	17317000A63487	Remote controller	1	JSN after *21B22xxxx	
	17317000A62645			JSN after *21723xxxx	20230608
26	12123100000024	Main Water collector assembly	1		
27	12123100000063	Deputy Water collector assembly	1		
30	15123000012887	Evaporator connecting pipe subassembly	1	add.CSN after *22A24xxxx	20230629
30	15123000012948	Evaporator connecting pipe subassembly	1	add.CSN after *22A24xxxx	