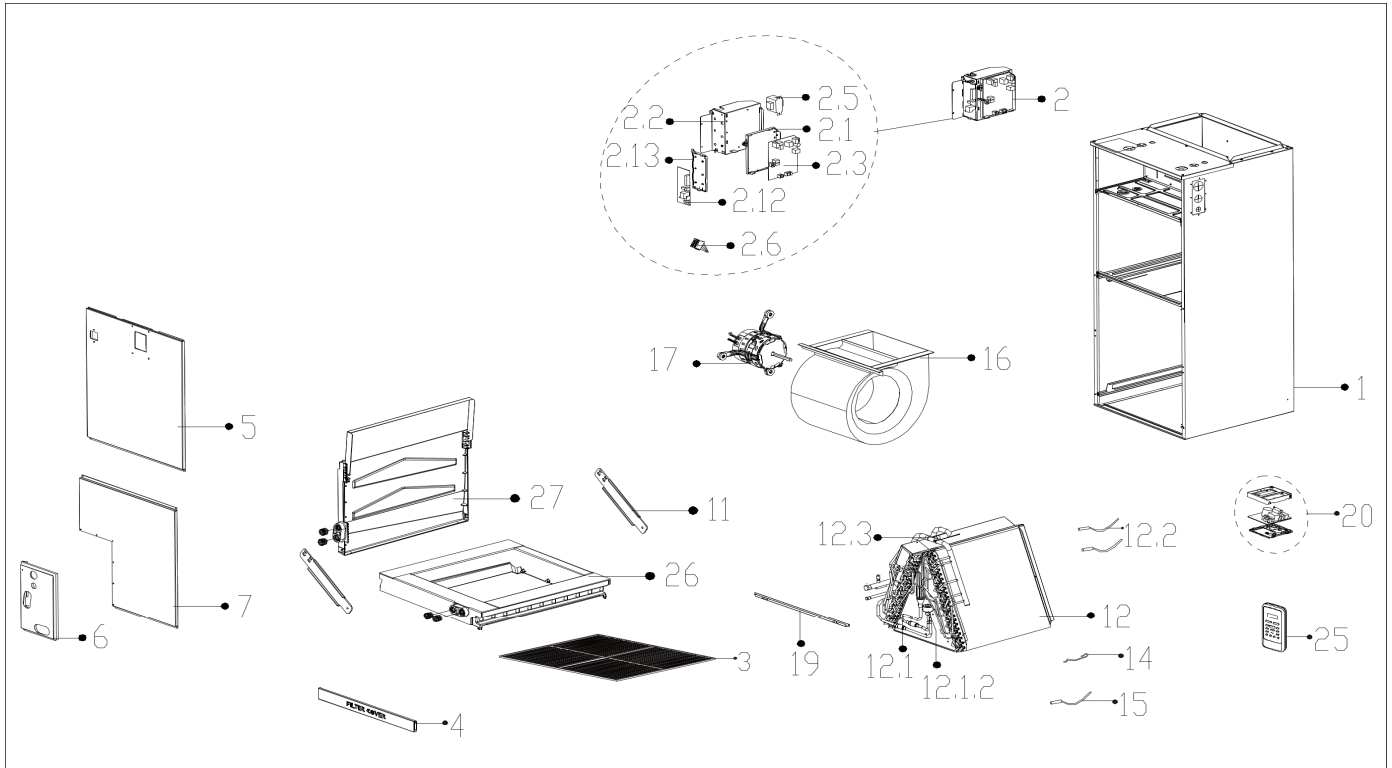


Exploded View

ComfortStar®

Model

AHU60-SG2



EX_ID	Spare Parts Code	Part Name(EN)	Qty.	Price	Remarks	Update
1	12223100A00174	Chassis assembly	1			
2	17223000009544	Duct electronic control box subassembly	1		JSN after *23319xxxx	20230608
	17223000007763				JSN after *21723xxxx	
2.1	12123000000920	Installation plate for main board	1			
2.2	12223100000876	E-part box Subassembly	1		CSN after *22A24xxxx	20230629
	12223100000631				CSN after *22418xxxx	
2.3	17123000010342	Duct main control board subassembly	1		JSN after *23319xxxx	
	17123000007980				JSN after *21723xxxx	
2.5	11203103002659	Linear Transformer	1		JSN after *23319xxxx	20230608
	11203103000087				JSN after *21723xxxx	
2.6	17400401000085	Wire joint	1			
2.12	17122000059682	Data transfer module control board printed board subassembly	1		JSN after *23319xxxx	20230608
	17122000058548				JSN after *21723xxxx	
2.13	12120300000522	Bracket of main control board	1			
3	12223000014172	Air filter	1			

4	12223100000660	Dust mesh	1			
5	12223100A00191	Upper Cover Plate assembly	1			
6	12223100000711	Clamp for connecting pipe assembly	1			
7	12223100A00173	Under Cover Plate assembly	1			
11	12223100000663	Bracket for Water collector	1			
12	15823100000744	Evaporator assembly	1			
12.1	15123000013349	Evaporator inlet pipe subassembly	1		JSN after *23319xxxx	20230629
	15123000012967				JSN after *21B22xxxx	
	15123000012634				JSN after *21723xxxx	
12.1.2	15500213000245	Electronic expansion valve	1		JSN after *21B22xxxx	20230608
	15500213002009				JSN after *21723xxxx	
12.2	11201007004863	Pipe temperature sensor	1			
12.2	11201007003437	Pipe Temperature Sensor	1			
12.3	15123000013348	Evaporator outlet pipe subassembly	1		JSN after *23319xxxx	20230629
	15123000012868				JSN after *21B22xxxx	
	15223000000290				JSN after *21723xxxx	
15	11201007004864	Room Temperature Sensor	1			
16	12200101000007	Fan assembly	1			
17	11002015015863	Brushless DC Motor	1		JSN after *21B22xxxx	20230608
	11002015013971				JSN after *21723xxxx	
19	12223100000668	Clamp for Cover Plate assembly	1			
20	17317100008515	Wired controller	1		JSN after *23319xxxx	20230608
	17317100006495				JSN after *21B22xxxx	
25	17317000A63487	Remote controller	1		JSN after *21B22xxxx	
	17317000A62645				JSN after *21723xxxx	
26	12123100000027	Main Water collector assembly	1			
27	12123100000023	Deputy Water collector assembly	1			
28	12223100000632	Bracket for Water collector	1			
30	15123000012948	Evaporator connecting pipe subassembly	1		CSN after *22A24xxxx	20230629
	15123000012968				JSN after *21B22xxxx	
	15123000012633				JSN after *21723xxxx	
30	15123100000608	Evaporator connecting pipe subassembly	1		CSN after *22A24xxxx	
	15123000012948				JSN after *21B22xxxx	
	15123000012630				JSN after *21723xxxx	