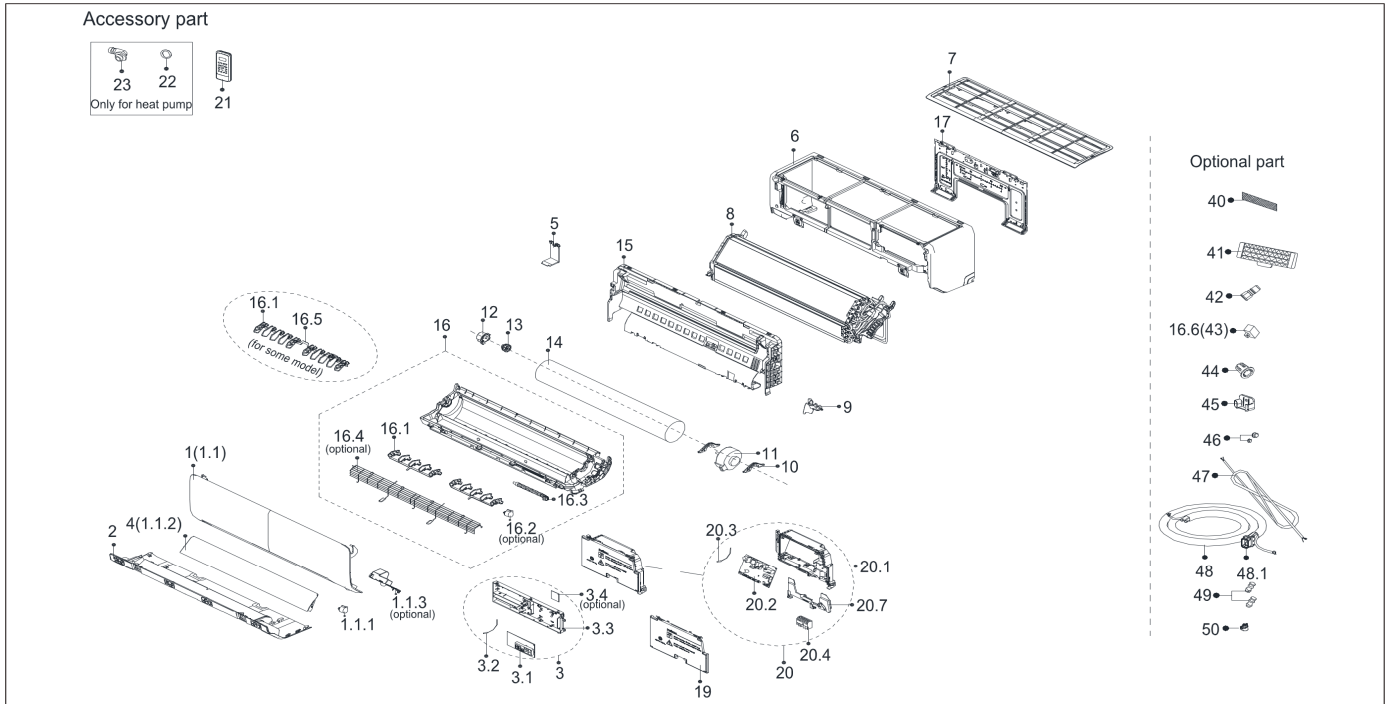


Exploded View

Model

CHF12CD(I)

ComfortStar®



| EX_ID | Spare Parts Code | Part Name(EN) | Qty. | Price | Remarks | Remarks |
|-------|------------------|---------------------------|------|-------|---------------------|----------|
| 1 | 12122000A86745 | Panel assembly | 1 | | JSN after*22C14xxxx | 20230619 |
| | 12122000026983 | | 1 | | JSN after*20A16xxxx | 20230619 |
| 1.1 | 12122000A85024 | Panel assembly | 1 | | JSN after*22C14xxxx | 20230619 |
| 1.1.2 | 12122000A85051 | Panel assembly | 1 | | JSN after*22C14xxxx | 20230619 |
| 2 | 12122000A83302 | Panel assembly1 | 1 | | JSN after*22C14xxxx | 20230619 |
| | 12122000026607 | | | | JSN after*20A16xxxx | 20230619 |
| 3 | 17222000A59450 | Display box subassembly | 1 | | | |
| 3.1 | 17122000050213 | Display board subassembly | 1 | | | |
| 3.2 | 11201007003103 | Room Temperature Sensor | 1 | | | |
| 3.3 | 12122000026921 | Display box | 1 | | | |
| 5 | 12122000026621 | Chassis support I | 1 | | | |
| 6 | 12122000A85029 | Panel frame assembly | 1 | | | |
| 7 | 12122000026428 | Filter filter subassembly | 1 | | | |

| | | | | | | |
|------|----------------|--|---|--|---------------------|----------|
| 8 | 15822000A18743 | Evaporator assembly | 1 | | | |
| 9 | 12122000026609 | pipe clamp board | 1 | | | |
| 10 | 12122000011994 | Fixing board of fan motor | 2 | | | |
| 11 | 11002015000051 | Brushless DC Motor | 1 | | | |
| 12 | 12122000000350 | Bearing holder | 1 | | | |
| 13 | 12622000000131 | Bearing components | 1 | | | |
| 14 | 12100102000696 | Cross flow fan | 1 | | | |
| 15 | 12122000026603 | Chassis assembly(above) | 1 | | | |
| 16 | 12122000028661 | Chassis assembly(below) | 1 | | | |
| 16.1 | 12122000026617 | Horizontal louver | 4 | | | |
| 16.1 | 12122000026616 | Horizontal louver1 | 6 | | | |
| 16.2 | 11002010001486 | Stepper motor | 1 | | | |
| 16.3 | 12100501000032 | Drain hose | 1 | | | |
| 16.4 | 12922000001991 | Protective wire | 1 | | | |
| 16.5 | 12122000026618 | Connecting rod of louver | 1 | | | |
| 16.7 | 12622000000030 | Drainage plug | 1 | | JSN after*22C14xxxx | 20230619 |
| 17 | 12222000A06973 | Installation plate subassembly | 1 | | | |
| 19 | 12122000026601 | Cover of electronic control box subassembly | 1 | | | |
| 20 | 17222000033055 | Electronic control box subassembly (Mid-and low-end) | 1 | | | |
| 20.1 | 12122000026606 | Electronic control box subassembly | 1 | | | |
| 20.2 | 17122000050623 | Main control board subassembly | 1 | | | |
| 20.3 | 11201007003445 | Pipe Temperature Sensor | 1 | | | |
| 20.4 | 17400401000577 | Wire joint | 1 | | | |
| 20.7 | 12122000026605 | Electrical Control Box holder | 1 | | | |
| 21 | 17317000A63487 | Remote controller | 1 | | | |
| 22 | 12600701000039 | seal ring | 1 | | | |
| 23 | 12100509000061 | Drain hose1 | 1 | | | |
| 40 | 12100204000685 | Air freshening filter | 1 | | | |
| 42 | 15500209000001 | Check valve | 1 | | | |
| 45 | 12122000029201 | Bracket of remote Controller | 1 | | | |
| 46 | 15500406000012 | Copper nut | 1 | | | |
| 46 | 15500406000016 | Copper nut1 | 1 | | | |