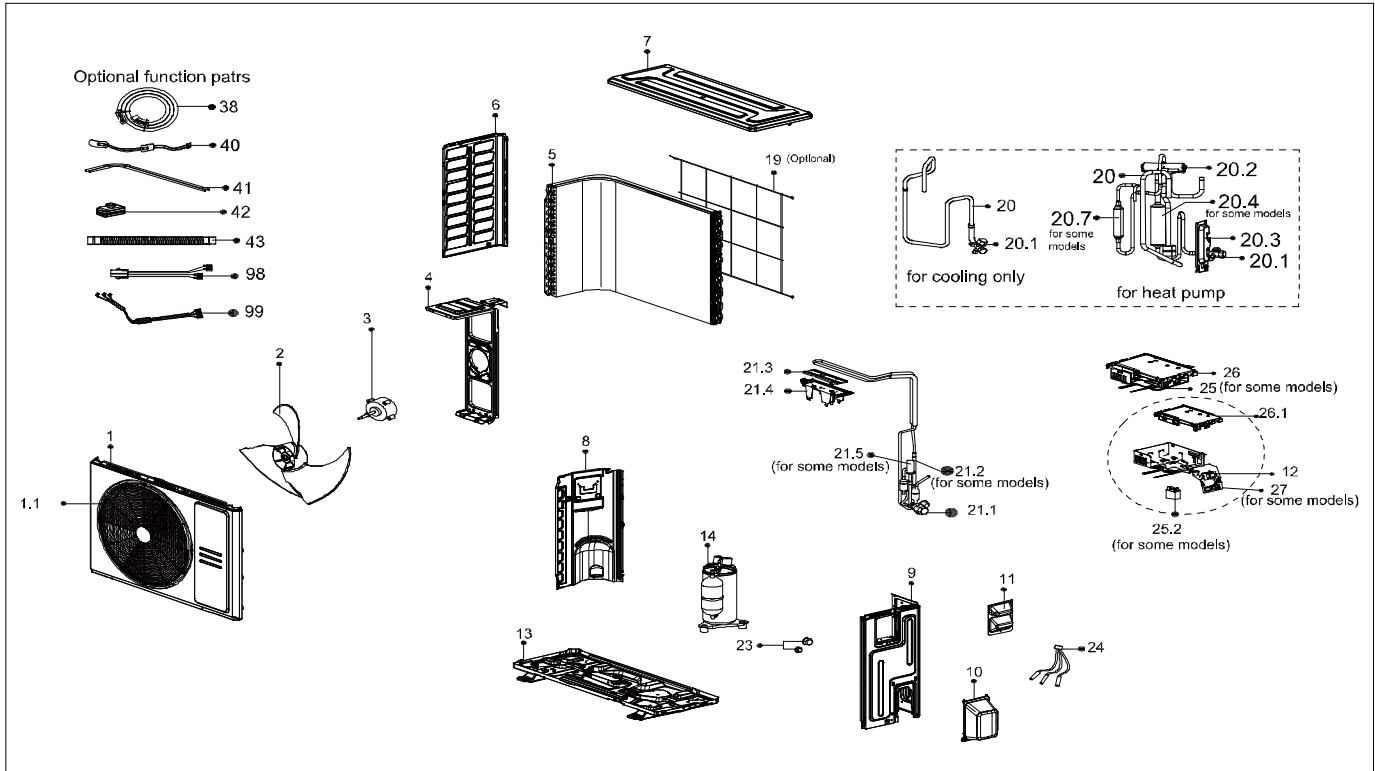


Exploded View

Model CHF18CD(O)

ComfortStar®



EX_ID	Spare Parts Code	Part Name(EN)	Qty.	Price	Remarks	Update
1	12222000A06282	Front panel assembly	1			
2	12100105000841	Axial flow fan	1			
3	11002015000366	Brushless DC Motor	1			
4	12222000012371	Supporter of fan motor	1			
5	15822000009796	Condenser assembly	1			
6	12222000013472	Left supporter	1			
7	12222000013465	Top cover assembly	1			
8	12222000013245	Partition board assembly	1			
9	12222000013466	Right clapboard assembly	1			

10	12122000007150	Water collector	1			
11	12222000010966	Big handle assembly	1			
12	17400401000068	Terminal	1			
13	12222000014054	Chassis assembly	1			
14	11103020006879	DC Inverter rotary compressor	1			
19	12222000013085	Rear net	1			
20	15422000018634	4-way valve assembly	1			
20.1	15500204000058	Gas valve	1.0			
20.2	15500216000026	4-way Valve	1.0			
20.3	12222200005738	Valve plate	1.0			
20.4	15122000027215	Muffler subassembly	1.0			
20.7	15122000025163	Muffler subassembly	1.0			
21	15422000018633	Liquid valve Assembly	1			
21.1	15500208000028	Liquid valve	1.0			
21.2	15500210001848	Throttle valve element	1.0			
21.3	11203803001176	Radiator	1.0			
21.4	12122000011478	U-Typed Support with Copper Pipe	1.0			
21.5	15500213000047	Electronic expansion valve subassembly	1.0			
23	15500406000012	Copper nut	1			
23	15500406000016	Copper nut	1			
24	11201011000188	Combination sensor	1			
25	12222000014405	Terminal board subassembly	1			
26	17222000038687	Electronic control box subassembly	1		JSN after*21B28xxxx	20230612
	17222000037721				JSN after*21A23xxxx	
26.1	12122000008999	Electronic installing box	1.0			
40	17402001000603	Crankcase electric heater	1			
41	17402002000544	tube type electric heater	1			
99	17401203012697	Compressor wire subassembly	1			