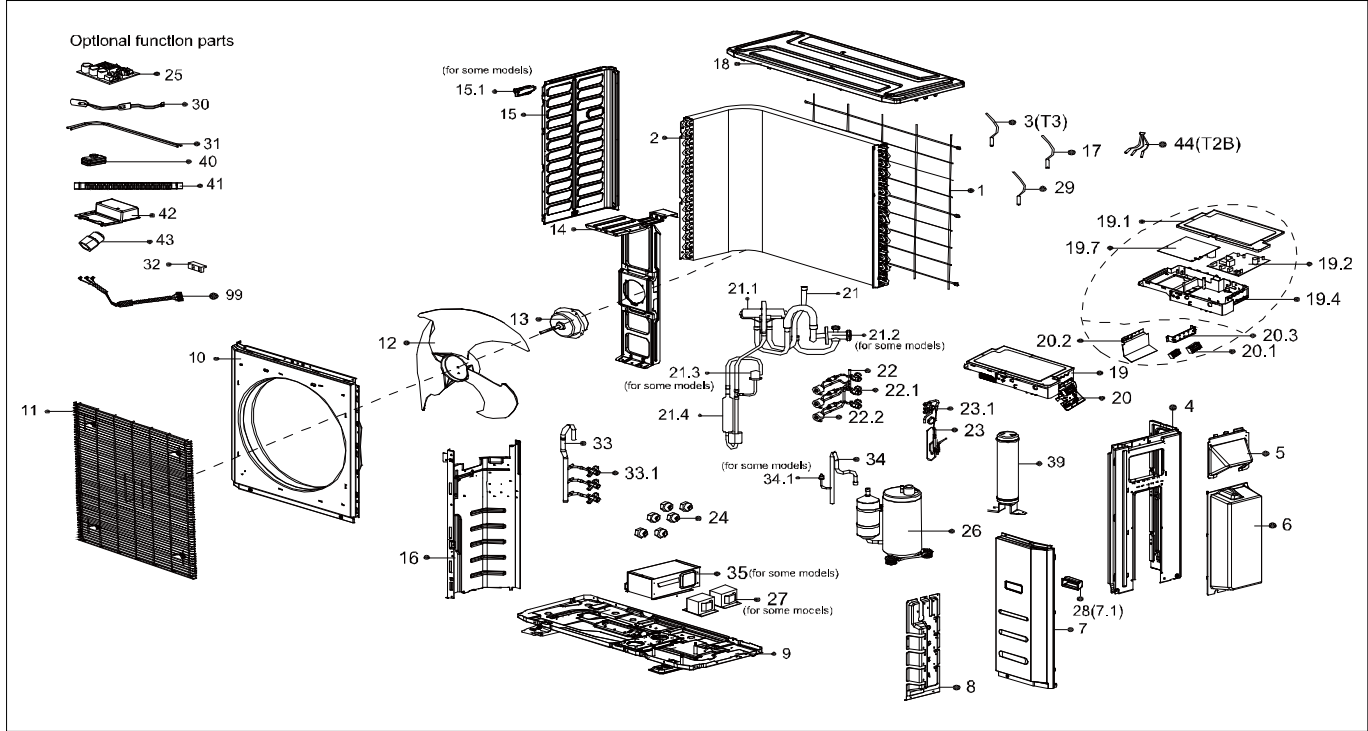


Exploded View

Model

CMZ-27-3Z

ComfortStar®



EX_ID	Spare Parts Code	Part Name(EN)	Qty.	Price	Remarks	Update
1	12222000006604	Rear net	1			
2	15822000008203	Condenser assembly	1			
3	11201007003442	Pipe Temperature Sensor	1			
4	12222000012226	Rear right clapboard assembly	1			
5	12222000011085	Big handle assembly	1			
6	12122300000110	Water collector	1			
7	12222500A00135	Front right clapboard assembly	1			
7.1	12100702000038	handle	1.0			
8	12222000005282	Valve plate	1			
9	12222000005267	Chassis assembly	1			
10	12222000A01431	Front panel	1			
11	12222000014845	Air outlet grille	1			
12	12100105000084	Axial flow fan	1			
13	11002015000247	Brushless DC Motor	1			
14	12222500001152	Supporter subassembly of fan motor	1			
15	12222000006665	Left side plate assembly of cabinet	1			

15.1	12100701000033	Small handle	1.0			
16	12222200007795	Partition board assembly	1		JSN after *22C14xxxx	20230630
	12222200007795				CSN after *22C06xxxx	
	12222200001156				JSN after *21B14xxxx	
17	11201007003448	Room Temperature Sensor	1			
18	12222500000587	Top cover assembly	1			
19	17222300003888	Electronic control box subassembly	1		JSN after *22C14xxxx	20230614
	17222300003888				CSN after *22C06xxxx	20230614
	17222300002650				JSN after *21B14xxxx	20230614
19.1	12122000006905	Cover of electronic control box	1.0			
19.2	17122300006552	Main control board subassembly	1.0		JSN after *22C14xxxx	20230614
	17122300006552				CSN after *22C06xxxx	20230614
	17122300003982				JSN after *21B14xxxx	20230614
19.4	12122300000170	Electronic installing box	1.0			
19.7	17122000052022	Inverter module subassembly	1.0			
20	17222300000729	Terminal board subassembly	1			
20.1	17400401000135	Terminal	2.0			
20.2	12222300000033	Terminal board	1.0			
20.3	12222300000032	Terminal board	1.0			
21	15422300000744	4-way Valve Assembly	1		JSN after *22C14xxxx	20230614
	15422300000744				CSN after *22C06xxxx	20230614
	15422300000684				JSN after *21B14xxxx	20230614
21.1	15500216000361	4-way valve	1.0			
21.2	15500204000049	Gas valve	1.0			
21.3	17400516000851	Pressure switch	1.0			
21.4	15122000031753	Muffler subassembly	1.0		JSN after *22C14xxxx	20230614
	15122000031753				CSN after *22C06xxxx	20230614
	15122000028137				JSN after *21B14xxxx	20230614
22	15422300000404	Liquid valve assembly	1			
22.1	15500208000028	Liquid valve	3.0			
22.2	15500213000046	Electronic expansion valve subassembly	3.0			
23	15422000016292	Liquid valve assembly	1			
23.1	15500208000047	Liquid valve	1.0			
24	15500406000010	Copper nut	3			
24	15500406000016	Copper nut	3		JSN after *22319xxxx	20230630
	15500406000012				JSN after *21B14xxxx	
26	11103020006879	DC Inverter rotary compressor	1			
27	17400306000058	Reactor	1			
29	11201007003124	Discharge Temperature Sensor	1			
30	17402002000466	Electric heating tube	1			
31	17402001000601	Crankcase electric heater	1			
33	15422300000406	Gas valve assembly	1			

33.1	15500204000021	Gas valve	3.0			
34	15122000029382	Suction pipe assembly	1			
34.1	17400516000848	Pressure switch	1.0			
39	15500508000315	Accumulator cylinder	1			
43	15500303002545	Pipe joint subassembly	3			
44	11201007000044	Pipe Temperature Sensor	1			
99	17401203000939	Compressor wire subassembly	1			