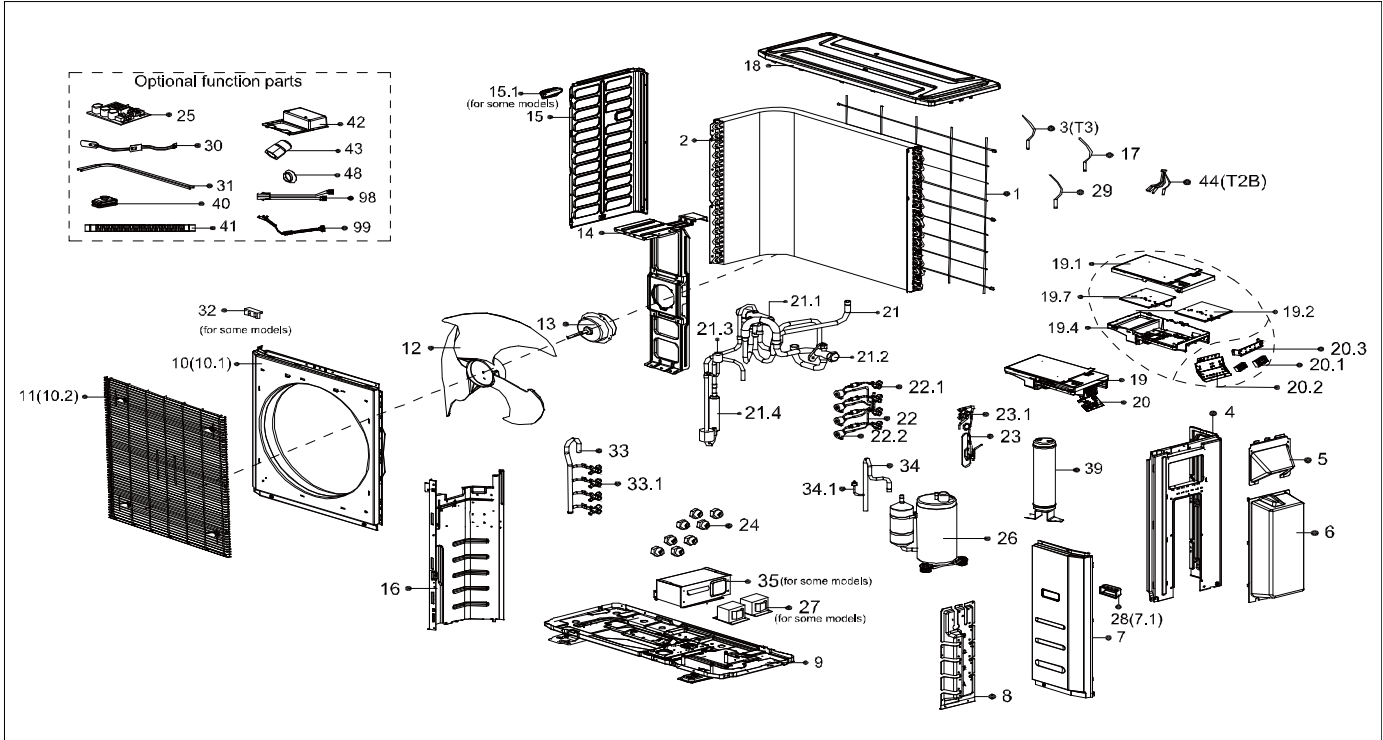


Exploded View

Model CMZ-48-4Z

ComfortStar®



EX_ID	Spare Parts Code	Part Name(EN)	Qty.	Price	Remarks	Update
1	12222000006604	Rear net	1			
2	15822000009578	Condenser assembly	1			
3	11201007003442	Pipe Temperature Sensor	1			
4	12222000012226	Rear right clapboard assembly	1			
5	12222000011085	Big handle assembly	1			
6	12122300000110	Water collector	1			
7	12222500A00135	Front right clapboard assembly	1			
7.1	12100702000038	handle	1.0			
8	12222000005282	Valve plate	1			
9	12222000005267	Chassis assembly	1			
10	12222000A01431	Front panel	1			
11	12222000014845	Air outlet grille	1			
12	12100105000084	Axial flow fan	1			
13	11002015000247	Brushless DC Motor	1			
14	12222500000547	Supporter subassembly of fan motor	1			
15	12222000006665	Left side plate assembly of cabinet	1			

15.1	12100701000033	Small handle	1.0			
16	12222200007795	Partition board assembly	1		JSN after *23125xxxx	20230630
	12222200001156				JSN after *21B14xxxx	
17	11201007003448	Room Temperature Sensor	1			
18	12222500000587	Top cover assembly	1			
19	17222300002648	Electronic control box subassembly	1			
19.1	12122000006905	Cover of electronic control box	1.0			
19.2	17122300003973	Main control board subassembly	1.0			
19.4	12122300000170	Electronic installing box	1.0			
19.7	17122000052007	Inverter module subassembly	1.0			
20	17222300000790	Terminal board subassembly	1			
20.1	17400401000084	Terminal	1.0			
20.1	17400401000135	Terminal	1.0			
20.2	12222300000033	Terminal board	1.0			
20.3	12222300000032	Terminal board	1.0			
21	15422000019432	4-way Valve Assembly	1			
21.1	15500216000361	4-way valve	1.0			
21.2	15500204000049	Gas valve	1.0			
21.3	17400516000851	Pressure switch	1.0			
21.4	15122000027837	Muffler subassembly	1.0			
22	15422300000364	Liquid valve assembly	1			
22.1	15500208000028	Liquid valve	4.0			
22.2	15500213000046	Electronic expansion valve subassembly	4.0			
23	15422000016293	Liquid valve assembly	1			
23.1	15500208000047	Liquid valve	1.0			
24	15500406000010	Copper nut	3			
24	15500406000012	Copper nut	1			
24	15500406000016	Copper nut	4			
26	11103020000719	DC Inverter Rotary Compressor	1			
27	17400306000058	Reactor	1			
29	11201007003124	Discharge Temperature Sensor	1			
30	17402002000466	Electric heating tube	1			
31	17402001000601	Crankcase electric heater	1			
33	15422300000365	Gas valve assembly	1			
33.1	15500204000021	Gas valve	3.0			
33.1	15500204000058	Gas valve	1.0			
34	15122300001024	Suction pipe assembly	1			
34.1	17400516000848	Pressure switch	1.0			
39	15500508000315	Accumulator cylinder	1			
43	15500303002546	Pipe joint subassembly	1			
43	15500303002544	Pipe joint subassembly	1			

43	15500303002545	Pipe joint subassembly	3			
43	15500303002547	Pipe joint subassembly	1			
44	11201007000007	Pipe Temperature Sensor	1			
99	17401203000939	Compressor wire subassembly	1			