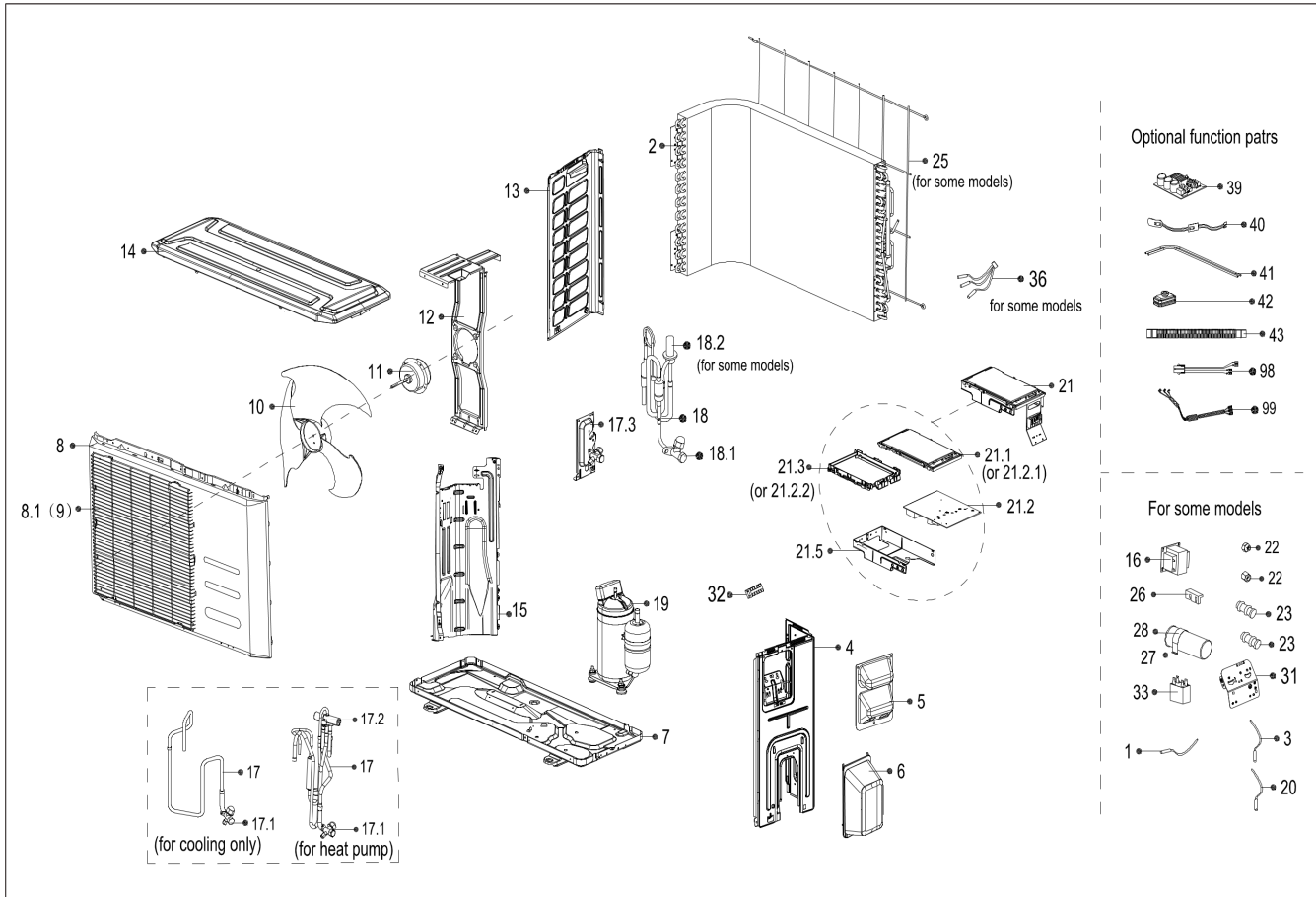


# Exploded View

Model CPG009CD(O)-B

# ComfortStar®



EX_ID	Spare Parts Code	Part Name(EN)	Qty.	Price	Remarks	Update
2	15822000008140	Condenser assembly	1			
4	12222000006249	Right clapboard assembly	1			
5	12222000010966	Big handle assembly	1			
6	12122000007150	Water Collector	1			
7	12222000006485	Chassis Assembly	1			
8	12222000004842	Front panel assembly	1			
9	12222000007424	Air outlet grille	1			
10	12100105000057	Axial Flow Fan	1			
11	11002015008264	Brushless DC Motor	1			
12	12222000008924	Supporter subassembly of fan motor	1			
13	12222000006244	Left supporter	1			
14	12222000006246	Top cover assembly	1			
15	12222000006484	Partition board assembly	1			

17	15422000016339	4-way Valve Assembly	1			
17.1	15500204000021	Gas Valve	1			
17.2	15500216001903	Four-Way Valve	1		JSN after*20B12xxxx	20230802
	15500216000028				JSN after*18C25xxxx	20230802
17.3	12222200005738	Valve Plate	1			
18	15422000004812	Liquid valve assembly	1			
18.1	15500208000028	Liquid Valve	1			
19	11103020005082	DC Inverter Rotary Compressor	1			
21	17222000035623	Electronic control box subassembly	1		JSN after*20B12xxxx	20230802
	17222000029848				JSN after*18C25xxxx	20230802
21.2	17122000053434	Outdoor main control board subassembly	1		JSN after*20B12xxxx	20230802
	17122000045297				JSN after*18C25xxxx	20230802
21.2.1	12222000001455	Cover of electronic control box	1			
21.2.2	12122000006913	Support of electronic control box	1			
21.5	12222000001311	Electronic installing box subassembly	1			
24	15111600A00008	Connecting pipe assembly	1			
25	12222000003986	Rear net	1			
31	12222000002259	Terminal Board	1			
32	17400401000068	Terminal	1			
36	11201011000067	Combination Sensor	1			
40	17402001000600	Crankcase electric heating strip	1			
41	17402002000464	Electric heating tube	1			
99	17401203000802	Compressor wire subassembly	1		JSN after*19928xxxx	20230802
	17402002A00025				JSN after*18C25xxxx	20230802