

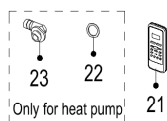
Exploded View

ComfortStar®

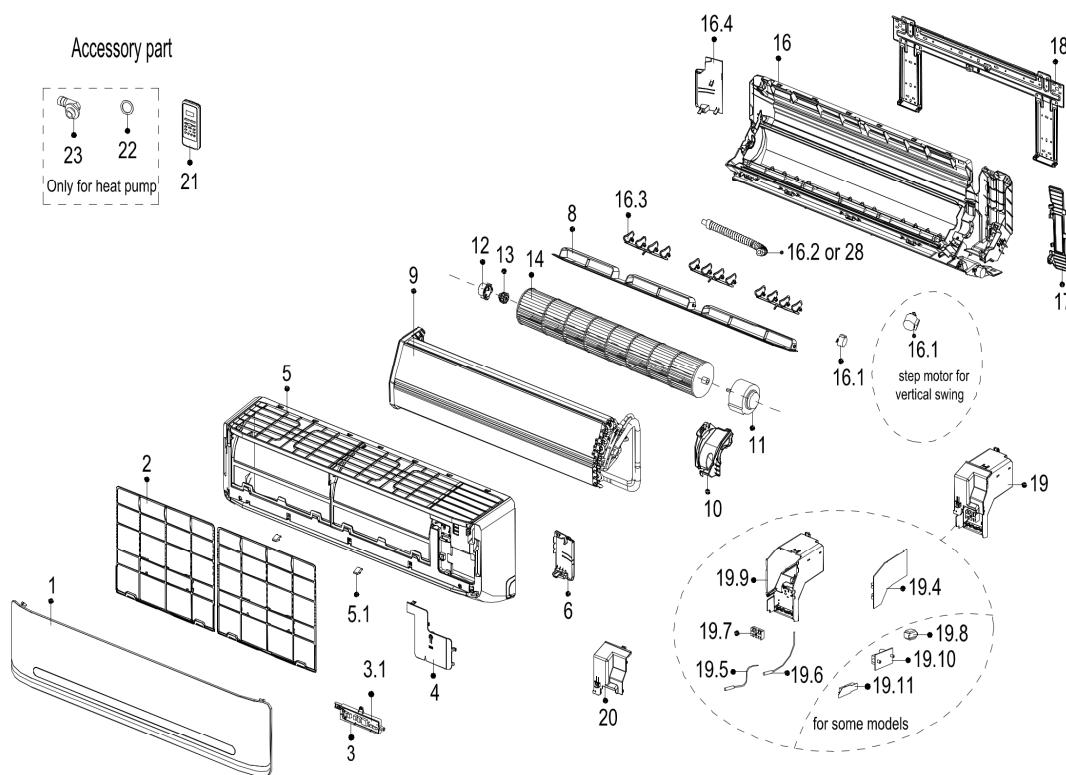
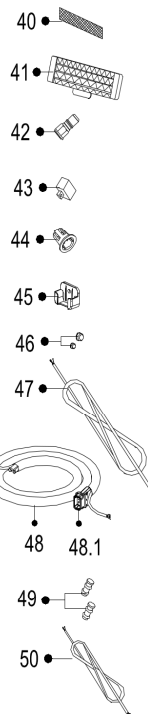
Model

CPG024CD(I)-B

Accessory part



Optional part



| EX_ID | Spare Parts Code | Part Name(EN) | Qty. | Price | Remarks | Update |
|-------|------------------|-------------------------------|------|-------|---------------------|----------|
| 1 | 12122000A71851 | Panel assembly | 1 | | | |
| 2 | 12100204000461 | Filter | 2 | | | |
| 3 | 17222000A51532 | Display box subassembly | 1 | | | |
| 3.1 | 17122000A09452 | Display board subassembly | 1 | | JSN after*20631xxxx | 20230802 |
| | 17122000A08523 | | | | JSN after*18B19xxxx | 20230802 |
| 4 | 12122000006733 | Cover of electrical equipment | 1 | | | |
| 5 | 12122000001956 | Panel frame assembly | 1 | | | |
| 5.1 | 121220000008242 | Screw Cap | 2 | | | |
| 6 | 12122000004608 | Front Cover of Chassis(Right) | 1 | | | |
| 8 | 12122000006335 | Horizontal louver | 1 | | | |
| 9 | 15822000A17400 | Evaporator assembly | 1 | | | |
| 10 | 121220000005512 | Motor Cover | 1 | | | |
| 11 | 11002015008646 | Brushless DC Motor | 1 | | | |

| | | | | | | |
|------|----------------|--|---|--|---------------------|----------|
| 12 | 12122000000350 | Bearing Holder | 1 | | | |
| 13 | 12622000000131 | Bearing components | 1 | | | |
| 14 | 12100102000018 | Cross Flow Fan | 1 | | | |
| 16 | 12122000011879 | Chassis assembly | 1 | | | |
| 16.1 | 11002010000049 | Stepper Motor | 1 | | | |
| 16.2 | 12100501000032 | Drain Hose | 1 | | | |
| 16.3 | 12122000000135 | Horizontal louver | 3 | | | |
| 16.4 | 12122000004614 | Front cover of chassis | 1 | | | |
| 16.5 | 12122000000344 | Insulated Axis | 1 | | | |
| 17 | 12122000012942 | pipe clamp board | 1 | | | |
| 18 | 12222000003595 | Installation Plate | 1 | | | |
| 19 | 17222000028514 | Electronic control box subassembly (Mid-and low-end) | 1 | | | |
| 19.4 | 17122000045121 | Main control board subassembly | 1 | | | |
| 19.5 | 11201007003425 | Room Temperature Sensor | 1 | | | |
| 19.6 | 11201007003445 | Pipe Temperature Sensor | 1 | | | |
| 19.7 | 17400401000006 | Terminal | 1 | | | |
| 19.9 | 12122000020327 | Electronic Control Box | 1 | | | |
| 20 | 12122000005024 | Electric Control Box Cover | 1 | | | |
| 21 | 17317000A16345 | Remote controller | 1 | | | |
| 22 | 12600701000039 | seal ring | 1 | | | |
| 23 | 12100509000061 | Drain Hose | 1 | | | |
| 40 | 12100204000685 | Air Freshening Filter | 1 | | | |
| 42 | 15500209000002 | Detection Valve | 1 | | | |
| 45 | 12122000A78115 | Bracket of remote Controller | 1 | | JSN after*20B14xxxx | 20230802 |
| | 12117000002116 | | | | JSN after*18B19xxxx | 20230802 |
| 46 | 15500406000003 | Copper nut | 1 | | | |
| 46 | 15500406000010 | Copper nut | 1 | | | |
| 47 | 17401203A00145 | Indoor and Outdoor Junction Cable | 1 | | | |
| 53 | 17222000A51532 | Display box subassembly | 1 | | | |
| 53.1 | 17122000A09452 | Display board subassembly | 1 | | | |
| 53.3 | 17122000A09452 | Display board subassembly | 1 | | | |