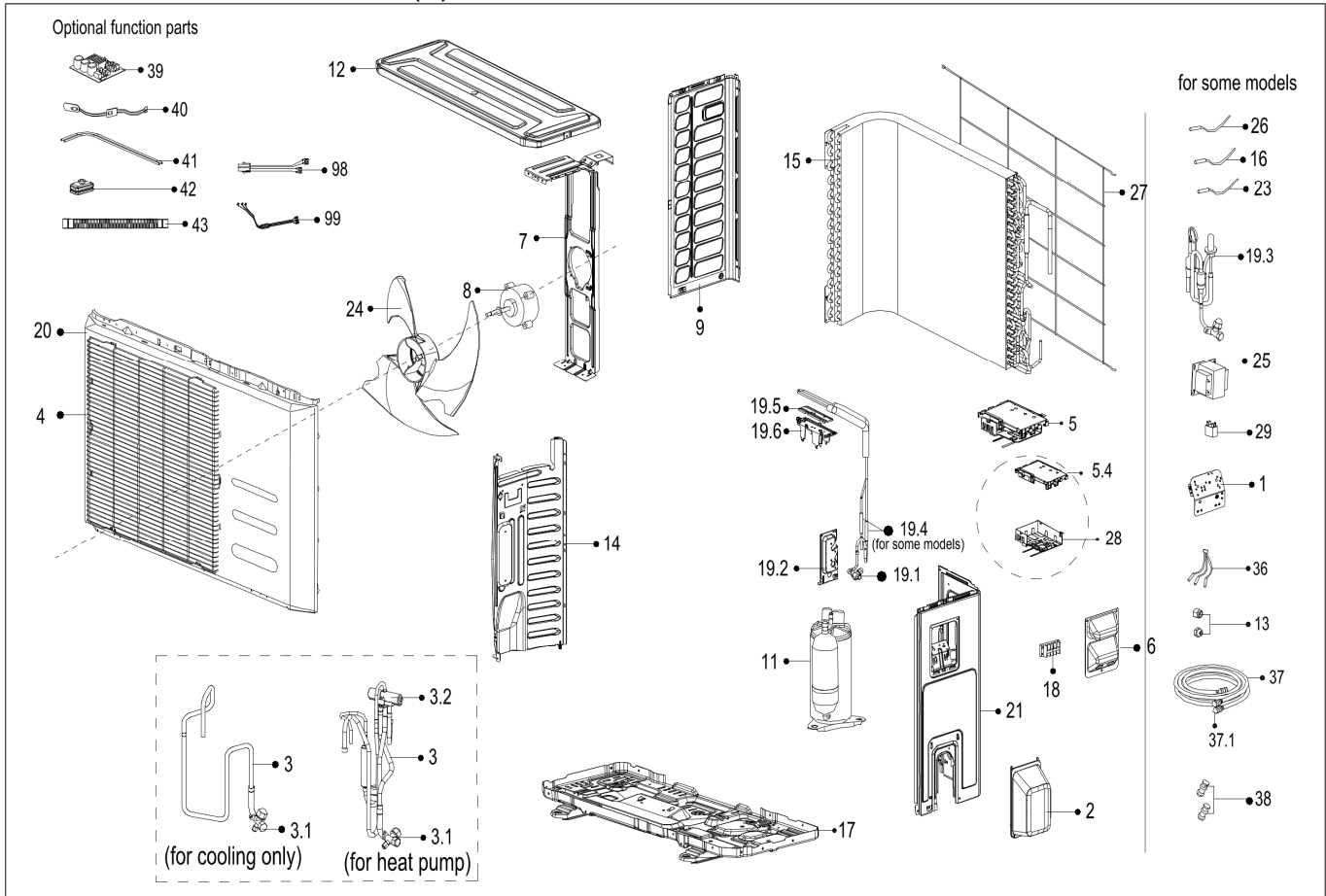


Exploded View

ComfortStar®

Model CPG024CD(O)-B



EX_ID	Spare Parts Code	Part Name(EN)	Qty.	Price	Remarks	Update
1	12222000005424	Support of electronic control box	1			
2	12122000007150	Water Collector	1			
3	15422000016192	4-way valve assembly	1			
3.1	15500204000025	Gas Valve	1			
3.2	15500216000026	4-way Valve	1			
4	12222000011145	Air outlet grille	1			
5	17222000035619	Electronic Control Box Subassembly	1		JSN after*20B12xxxx	20230802
	17222000029829				JSN after*19707xxxx	20230802
	17222000028515				JSN after*18B16xxxx	20230802
5.4	12122000008999	Electronic Installing Box	1			
6	12222000010966	Big handle assembly	1			
7	12222000004884	Supporter subassembly of fan motor	1			
8	11002015008365	Brushless DC Motor	1			

9	12222000004831	Left side plate assembly of cabinet	1			
11	11103020004360	DC Inverter Rotary Compressor	1			
12	12222000004835	Top cover assembly	1			
14	12222000005423	Partition board assembly	1			
15	15822000008325	Condenser assembly	1			
17	12222000012165	Chassis assembly	1			
18	17400401000068	Terminal	1			
19	15422000015832	Liquid valve assembly	1			
19.1	15500208000286	Liquid Valve	1			
19.2	12222000002571	Valve Plate	1			
19.4	15500210001209	Throttle Valve	1			
19.4	15500210001228	Throttle Valve	1			
19.5	11203803001176	Radiator	1			
19.6	12122000011478	U-Typed Support with Copper Pipe	1			
20	12222000006304	Front panel assembly	1			
21	12222000004830	Right side plate	1			
24	12100105000181	Axial flow fan	1			
27	12222000004833	Rear net	1			
28	12222200002695	Electronic installing box subassembly	1			
36	11201011000168	Combination Sensor	1			
37	15111600A00018	Connecting pipe assembly	1			
40	17402001000603	Crankcase Electric Heating Strip	1			
41	17402002000466	Electric heating tube	1			
99	17401203000939	Compressor wire subassembly	1			