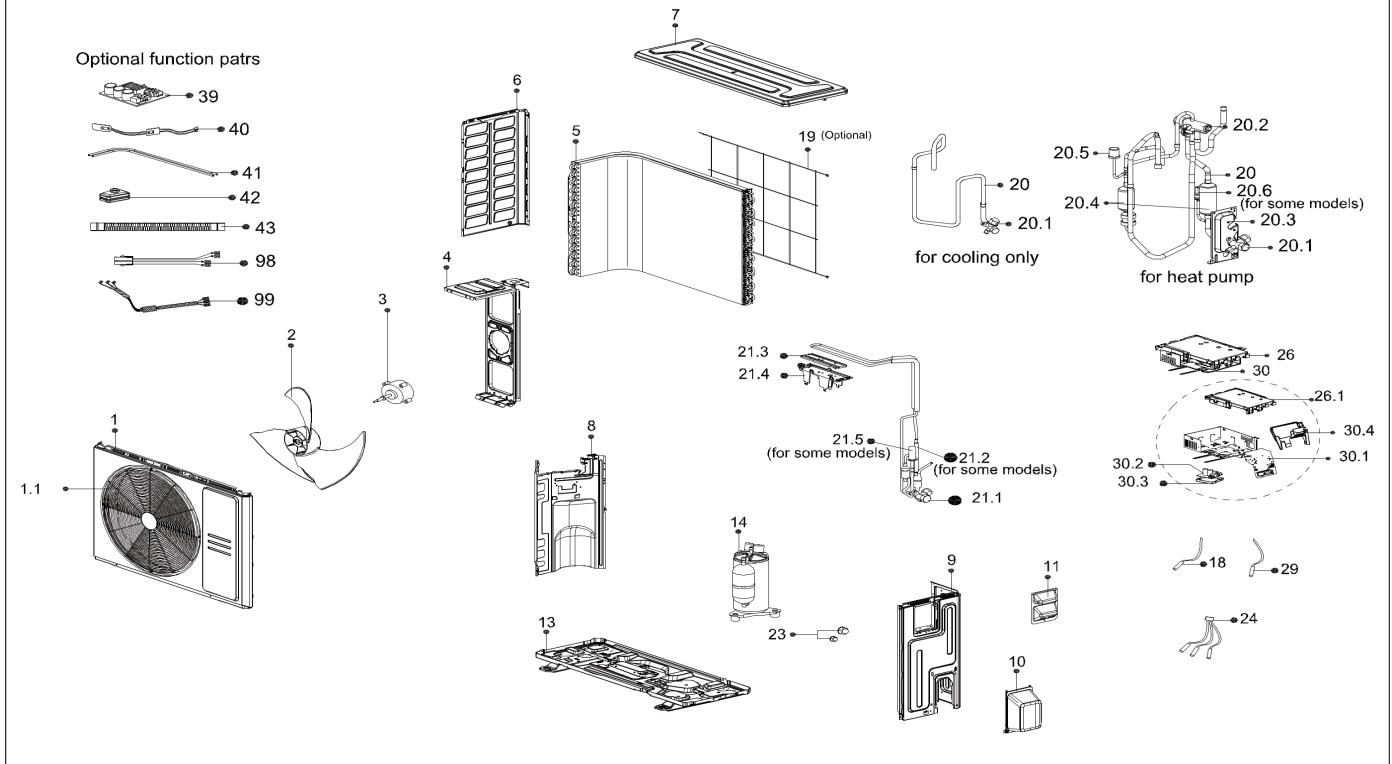


Exploded View

ComfortStar®

Model

CPR24CD(O)



EX_ID	Spare Parts Code	Part Name(EN)	Qty.	Price	Remarks	Update
1	12222000A06282	Front panel assembly	1			
1.1	12222000A06283	Front panel	1			
2	12100105000841	Axial flow fan	1			
3	11002015000366	Brushless DC Motor	1			
4	12222000012371	Supporter of fan motor	1			
5	15822000009796	Condenser assembly	1			
6	12222000013472	Left supporter	1			
7	12222000013465	Top cover assembly	1			
8	12222000013245	Partition board assembly	1			
9	12222000013466	Right clapboard assembly	1			
10	12122000007150	Water collector	1			
11	12222000010966	Big handle assembly	1			
13	12222000014054	Chassis assembly	1			
14	11103020004360	DC Inverter Rotary Compressor	1			
18	11201007000124	Pipe Temperature Sensor	1			
19	12222000013085	Rear net	1			

20	15422000021635	4-way valve assembly	1		JSN after*22211xxxx	20230609
	15422000020459				JSN after*21723xxxx	
20.1	15500204000502	Gas valve	1			
20.2	15500216000026	4-way Valve	1			
20.3	12222200005738	Valve plate	1			
20.4	15122000028801	Muffler subassembly	1			
20.5	17400516000849	Pressure switch	1			
20.6	11201008000773	Pressure sensor	1			
20.7	15122000028753	Muffler subassembly	1			
21	15422000020460	Liquid valve assembly	1			
21.1	15500204000021	Gas valve	1			
21.3	11203803001176	Radiator	1			
21.4	12122000011478	U-Typed Support with Copper Pipe	1			
21.5	15500213000176	Electronic expansion valve body	1			
23	15500406000003	Copper nut	1			
23	15500406000010	Copper nut	1			
24	11201011000188	Combination sensor	1			
26	17222000036246	Electronic control box subassembly	1			
26.1	12122000008999	Electronic installing box	1			
29	11201007003445	Pipe Temperature Sensor	1			
30	17222000036247	Inverter module electronic control bo; subassembly	1			
30.1	17222000031639	Terminal board subassembly	1			
30.2	17122000056715	Inverter module subassembly	1			
30.3	12122000029482	Electronic installing box	1			
30.4	12122000029483	Cover of electronic control box subassembly	1			
38	15111600A00285	Connecting flexible hose assembly	1			
40	17402001000603	Crankcase electric heating strip	1			
41	17402002000544	tube type electric heater	1			
99	17401203012697	Compressor wire subassembly	1			