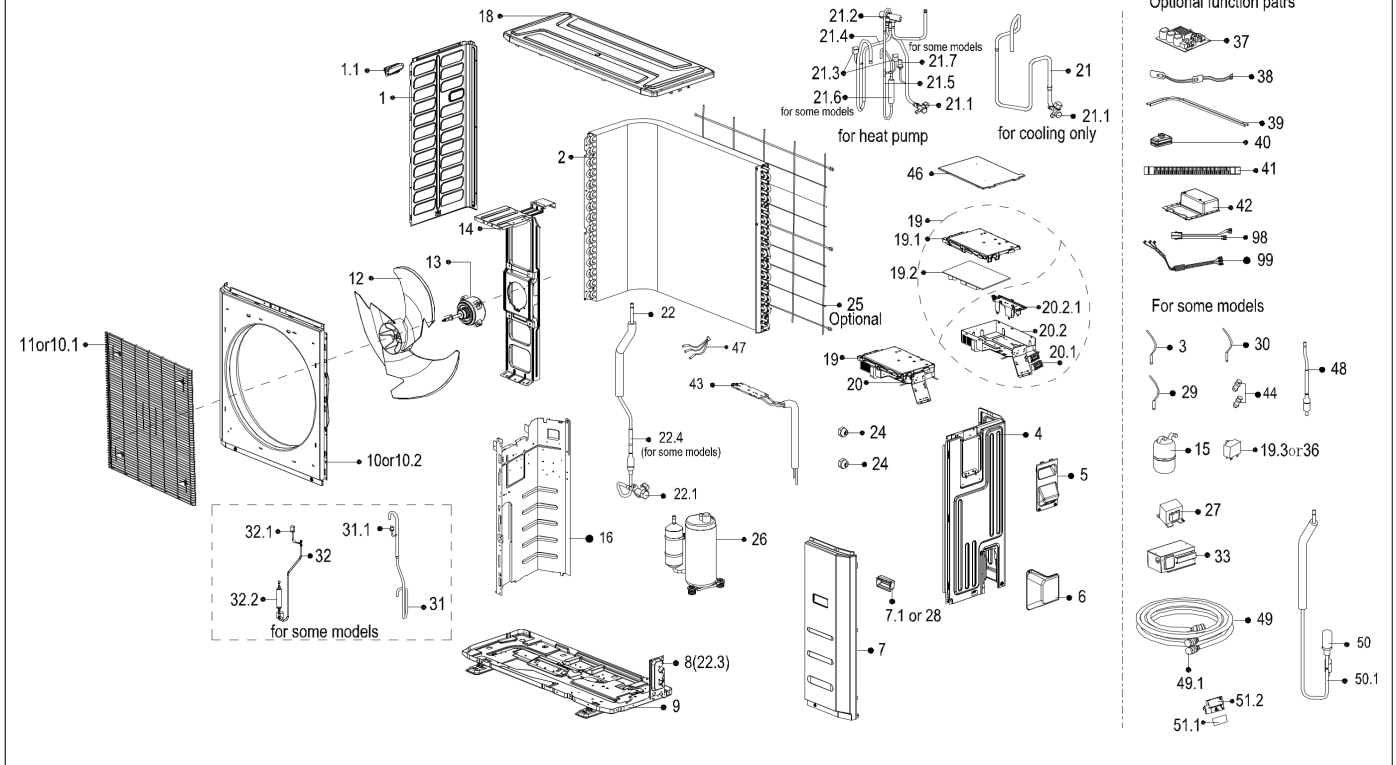


Exploded View

ComfortStar®

Model

CPR30CD(O)



EX_ID	Spare Parts Code	Part Name(EN)	Qty.	Price	Remarks	Update
1	12222000006665	Left side plate assembly of cabinet	1			
1.1	12100701000033	Small handle	1			
2	15822000008591	Condenser Assembly	1			
3	11201007000069	Pipe Temperature Sensor	1			
3	11201007003445	Pipe Temperature Sensor	1			
4	12222000006664	Rear right clapboard assembly	1			
5	12222000013365	Big handle assembly	1			
6	12122200002695	Water collector	1			
7	12222500A00135	Front right clapboard assembly	1			
7.1	12100702000038	handle	1			
9	12222000004018	Chassis assembly	1			
10	12222000A01431	Front panel	1			
11	12222000014845	Air outlet grille	1			
12	12100105000084	Axial flow fan	1			

13	11002015000247	Brushless DC Motor	1			
14	12222000005162	Supporter subassembly of fan motor	1			
16	12222000012328	Partition board assembly	1			
18	12222500000587	Top cover assembly	1			
19	17222000036522	Electronic control box subassembly	1			
19.1	12122000025662	Cover of electronic control box	1			
19.2	17122000054315	Outdoor main control board subassembly	1			
20	17222000036524	Terminal board subassembly	1			
20.1	17400401000119	Terminal	1			
20.2	12222000015265	Electronic installing box subassembly	1			
20.2.1	12122000024381	U-Typed Support with Copper Pipe	1			
20.4	17122000056705	Inverter module subassembly	1			
21	15422000022558	4-way valve assembly	1		JSN after*22314xxxxx	20230609
	15422000020534				JSN after*21723xxxxx	
21.1	15500204000482	Gas valve	1		JSN after*22314xxxxx	
	15500204000502				JSN after*21723xxxxx	
21.2	15500216000361	4-way valve	1			
21.3	17400516000850	Pressure switch	1			
21.4	15122000029897	Suction pipe assembly	1			
21.5	15122000028802	Discharge pipe assembly	1			
21.7	11201008000773	Pressure sensor	1			
21.8	17400516000849	Pressure switch	1			
22	15422000021516	Liquid valve assembly	1		JSN after*22314xxxxx	20230609
	15422000021314				JSN after*21A22xxxxx	
	15422000020458				JSN after*21723xxxxx	
22.1	15500204000021	Gas valve	1			
22.3	12222200000611	Valve plate	1		JSN after*22314xxxxx	20230609
	12222200002110				JSN after*21723xxxxx	
24	15500406000008	Copper nut	1		JSN after*22314xxxxx	20230628
	15500406000003				JSN after*21723xxxxx	
24	15500406000010	Copper nut	1			
25	12222000006604	Rear net	1			
26	11103020000559	DC Inverter Rotary Compressor	1			
38	17402001000601	Crankcase electric heater	1			
39	17402002000466	Electric heating tube	1			
43	15122000026020	Radiator subassembly	1			
46	12122000016029	Cover of electronic control box	1			
47	11201011000188	Combination sensor	1			

50	15422000020457	Electronic expansion valve subassembly	1			
50.1	15500213000265	Electronic expansion valve body	1			
52	15123000012887	Evaporator connecting pipe subassembly	1		add_CSN after*22A23xxxxx	20230609
52	15123000012948	Evaporator connecting pipe subassembly	1		add_CSN after*22A23xxxxx	
99	17401203000751	Compressor wire subassembly	1			