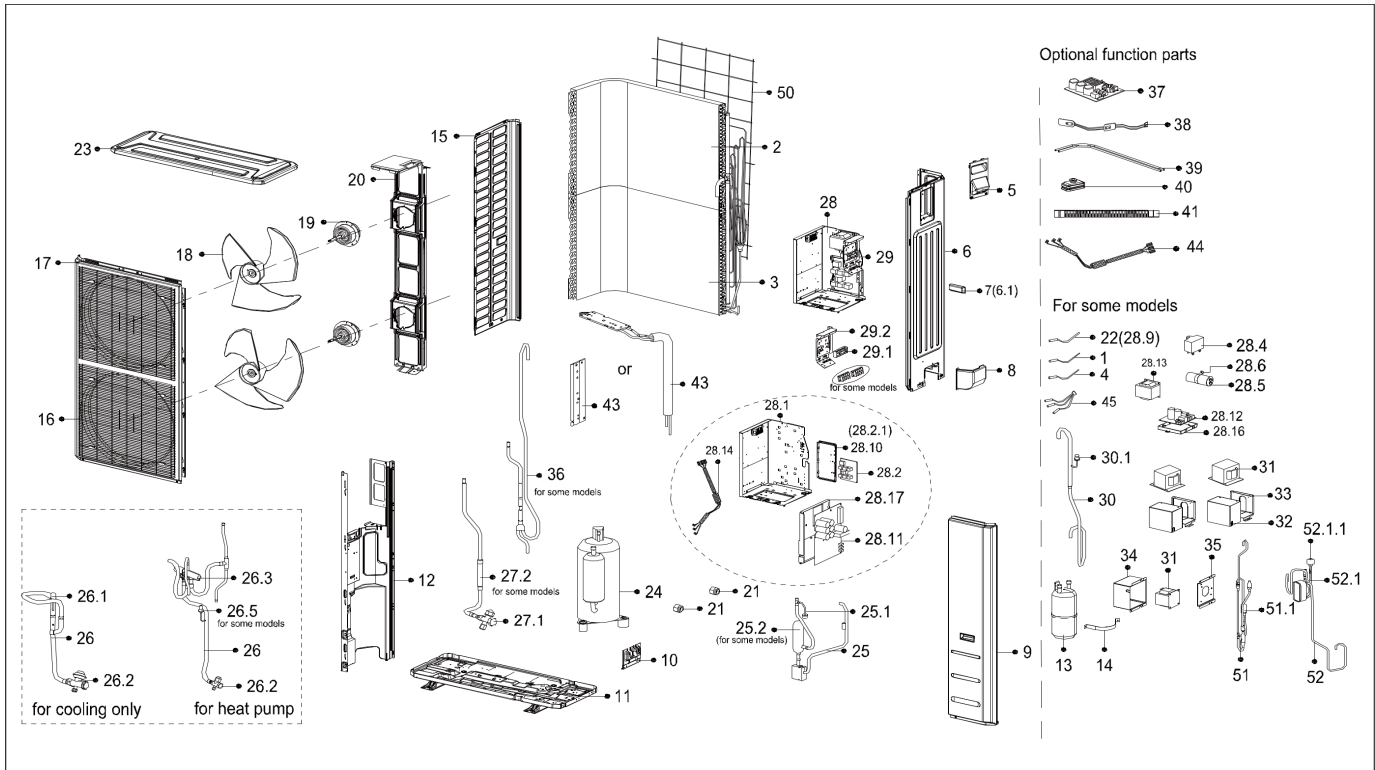


Exploded View

ComfortStar®

Model CPR60CD(O)



EX_ID	Spare Parts Code	Part Name(EN)	Qty.	Price	Remarks	Update
1	11201007003425	Room Temperature Sensor	1			
2	15822000008311	Condenser Assembly	1			
3	15822000008313	Condenser Assembly	1			
4	11201007003439	Pipe Temperature Sensor	1			
5	12222000013365	Big handle assembly	1			
6	12222000012373	Rear right clapboard assembly	1			
6.1	12100702000038	handle	1			
8	12122000014023	Water collector	1			
9	12222000006287	Front right clapboard assembly	1			
10	12222200002361	Valve plate	1			
11	12222000006290	Chassis assembly	1			
12	12222000005733	Partition board assembly	1			
13	15500508000009	Liquid-storage tank	1			
15	12222200002363	Left side plate assembly of cabinet	1			
16	12222000014845	Air outlet grille	2			
17	12222000007564	Front panel	1			

18	12100105000022	Axial flow fan	2			
19	11002015009825	Brushless DC Motor	2			
20	12222000006288	Supporter subassembly of fan motor	1			
21	15500406000010	Copper nut	1			
22	11201007004043	Discharge Temperature Sensor	1			
23	12222000002359	Top cover assembly	1			
24	11103020002859	DC Inverter Rotary Compressor	1			
25	15122000027660	Discharge pipe assembly	1			
25.1	17400516000851	Pressure switch	1			
26	15422000022540	4-way valve assembly	1		CSN after*22418xxxxx	20230609
	15422000022540				JSN after*22327xxxxx	
	15422000020455				JSN after*22321xxxxx	
	15422000022540				JSN after*22314xxxxx	
	15422000020455				JSN after*21730xxxxx	
26.2	15500204000027	Gas valve	1		CSN after*22418xxxxx	
	15500204000027				JSN after*22327xxxxx	
	15500204000482				JSN after*22321xxxxx	
	15500204000027				JSN after*22314xxxxx	
	15500204000482				JSN after*21730xxxxx	
26.3	15500216000681	4-way valve	1			
26.5	11201008000773	Pressure sensor	1			
27	15422000021553	Liquid valve assembly	1		JSN after*21B22xxxxx	20230609
	15422000020453				JSN after*21730xxxxx	
27.1	15500204000021	Gas valve	1			
28	17222000036243	Electronic control box subassembly	1			
28.1	12222000012372	Installation plate of electric parts subassembly	1			
28.2	17122000053390	Inverter module subassembly	1			
28.10	12122000014342	Electronic installing box	1			
28.11	17122000054048	Outdoor main control board subassembly	1			
28.14	17401203000936	Compressor wire subassembly	1			
28.17	12122000020943	Electronic installing box	1			
29	17222000036241	Terminal board subassembly	1			
29.1	17400401003456	Wire joint	1			
29.2	12222000015266	Terminal instalation subassembly	1			
29.3	17122000056718	Inverter module subassembly	1			
30	15122000028742	Suction pipe assembly	1			
30.1	17400516000850	Pressure switch	1			
38	17402001000602	Crankcase electric heating strip	1			
39	17402002000466	Electric heating tube	1			
43	15122000024994	Radiator subassembly	1			
46	11201007000136	Pipe Temperature Sensor	1			

46	/	Pipe Temperature Sensor	1		JSN after*23319xxxx	20230609
	/				CSN after*22A24xxxx	
	11201007003439				CSN after*22631xxxx	
	11201007003439	Pipe Temperature Sensor			JSN after*21730xxxx	
47	11201007003445	Pipe Temperature Sensor	1			
50	12222000007944	Rear net	1			
51	15422000020454	Electronic expansion valve subassembly	1			
53	15123000012948	Evaporator connecting pipe subassembly	1		add,CSN after*22930xxxx	20230629
53	15123100000608	Evaporator connecting pipe subassembly	1		add,CSN after*22930xxxx	
51.1	15500213000245	Electronic expansion valve	1			