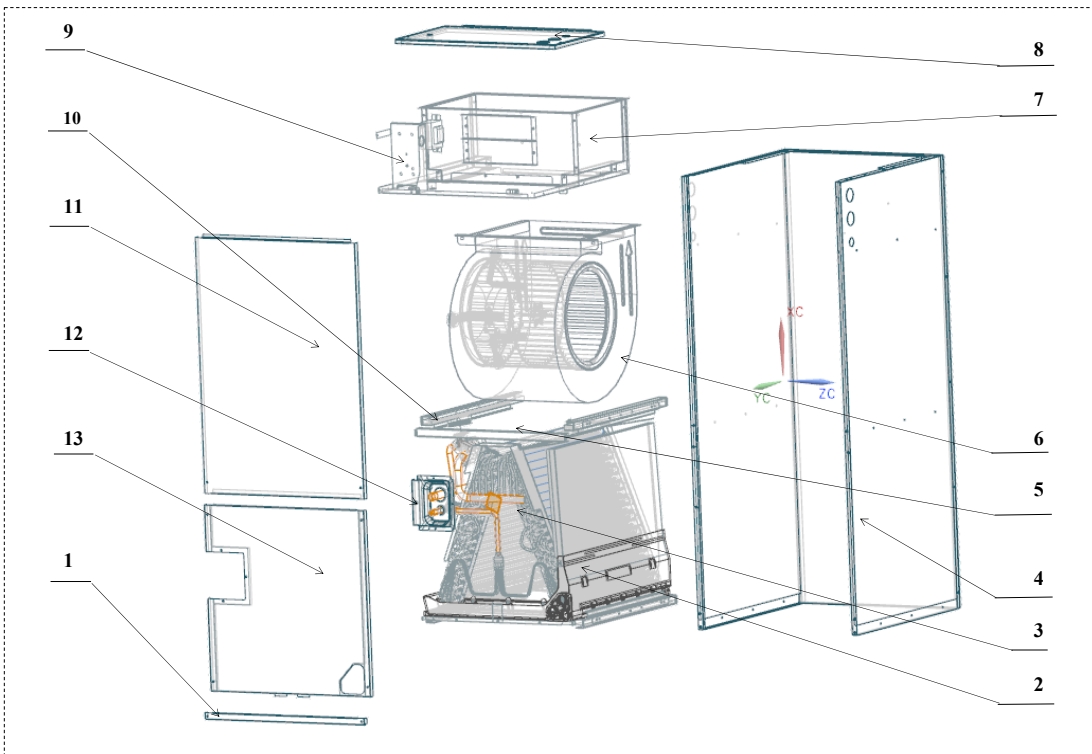
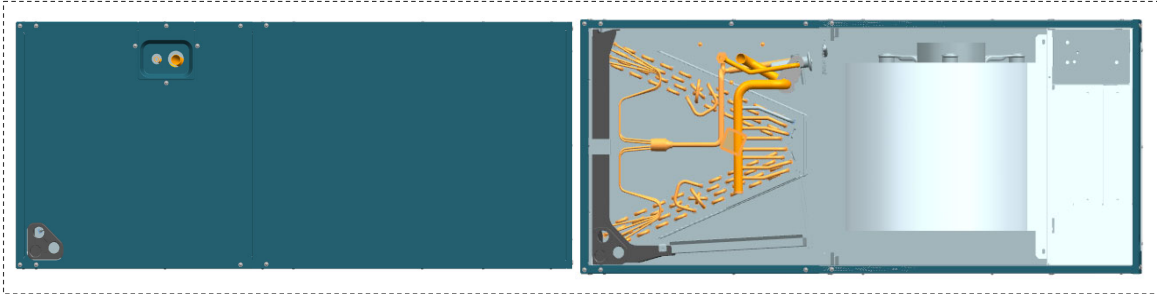


Model: AHH24-410-C
 Power supply: 208/230V_1Ph_60HZ

ComfortStar®



No.	Part Name	Quantity	Sale code	BOM code		
1	Filter Cover plate	1		801233590166		
2	Water pan components	1		801134590006		
2.1	Water pan# 1	1		801134590002		
2.2	Water pan# 2	1		800734590102		
2.3	Water pan fixed block	1		801234590091		
2.4	Water pan brace	2		801234190193		
3	Evaporator welding components	1		801539390022		
3.1	Air header Assembly	1		801633590039		
3.2	Diverter Assembly	1		801633590041		
3.3	Evaporator	2		801533590038		
3.4	Evaporator Baffle	2		801239390040		
3.5	Evaporator Water Baffle #1	2		801234590095		
3.6	Evaporator Water Baffle #2	1		801234590096		
3.7	Evaporator Water Baffle #3	1		801234590097		
3.8	Evaporator Fixing Plate #1	1		801233590141		
3.9	Evaporator Fixing Plate #2	1		801233590144		
3.10	Evaporator Junction Plate	1		801233590142		
4	Chassis assembly	1		801233590133		

5	Supporter	2		801234590090		
6.1	Right Volute Wind Wheel	1		801200200040		
6.2	Indoor Motor	1		802400400761		
7	Fan Motor Fixing plate assembly	1		801239390034		
7.1	Fan Motor Fixing plate	1		801239390092		
7.2	Wind Wheel Fixed Block	2		801234590106		
7.3	Fixed plate on air duct	1		801239390091		
7.4	Stator	2		801239390036		
7.5	air duct left stationary plate	1		801239390025		
7.6	air duct right stationary plate	1		801239390026		
8		1		801233590139		
9	ELectronic Control Components	1		803339390019		
9.1	ELectronic Control Mounting Plate	1		801234590202		
9.2	Main Board	1		803339390018		
9.3	Transformer	1		802300200087		
10	Water pan supporter assembly	4		801233590165		
11	Upper side plate assembly	1		801233590135		
12	Pipe Cover plate assembly	1		801234590081		
13	Lower side plate assembly	1		801233590137		

