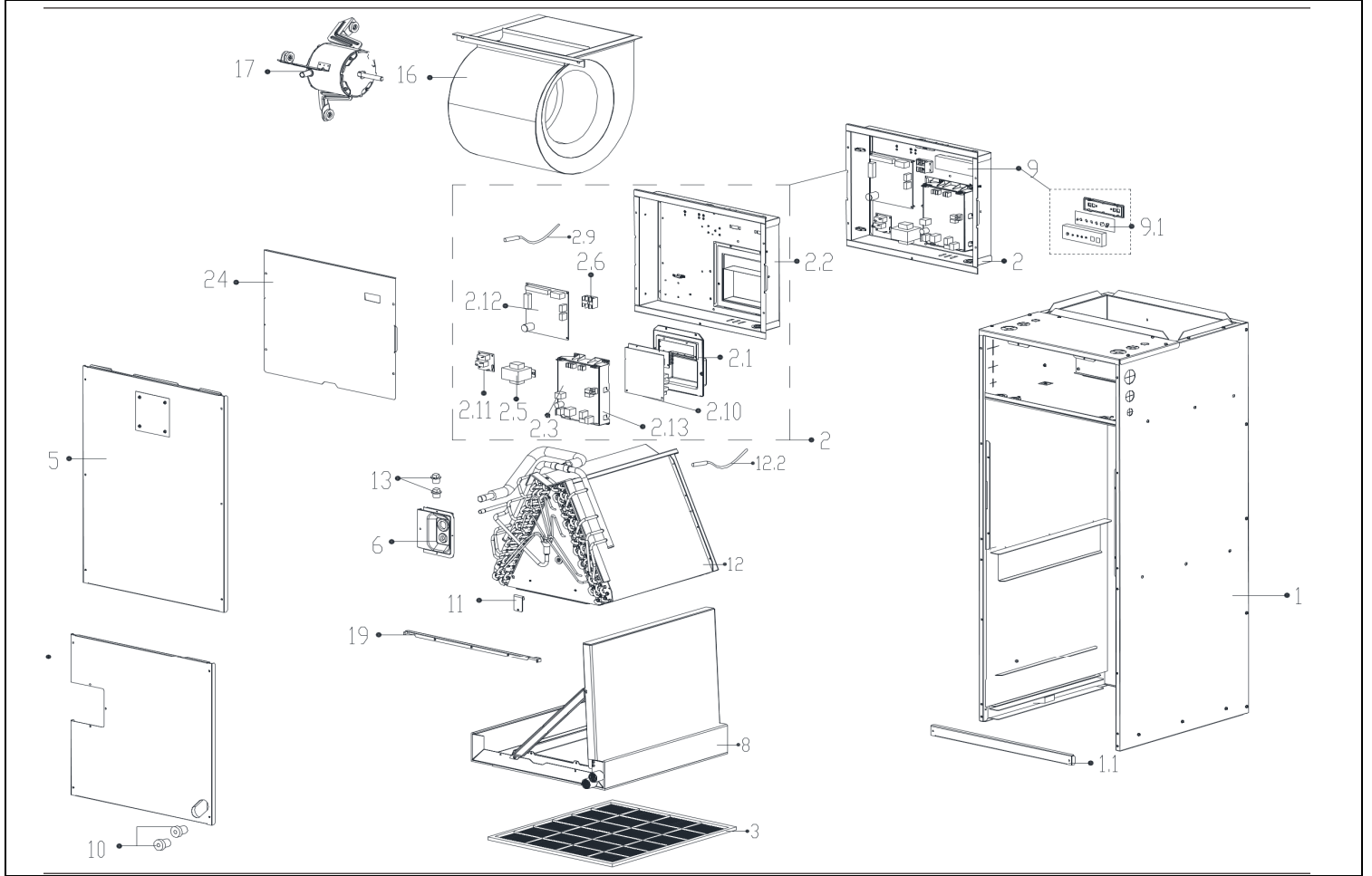


ComfortStar Model:  
Power Supply :

AHU36  
208-230V/1Ph/60HZ

ComfortStar®



No.	Part Name	Quantity	BOM Code	
1	Chassis subassembly	1	12223000012117	
1.1	Filter filter clamp	1.0	12223000012116	
2	Duct electronic control box subassembly	1	17223000006617	
2.2	Electronic control box	1.0	12223000012109	
2.3	Duct main control board subassembly	1.0	17123000006157	
2.5	Linear Transformer	1.0	11203103000087	
2.6	Wire joint	1.0	17400401000085	
2.9	Room Temperature Sensor	1.0	11201007003563	
2.10	Inverter control board subassembly	1.0	17122000048529	
2.11	Auxiliary electric heater control board subass	1.0	17117600000064	
2.12	Data transfer module control board printed bc	1.0	17122000048527	
2.13	Insulation plate	1.0	12123000000800	
3	Air filter	1	12223000012332	
5	Upside board subassembly	1	12223000012118	
6	Pipe clamp board subassembly	1	12223000012110	
7	Underside board subassembly	1	12223000012108	
8	Water collector subassembly	1	12223000012115	
9	Duct display board subassembly	1	17223000006618	
9.1	Duct display board subassembly	1.0	17123000004237	
10	Seal stopper	2	12623000000194	
11	Fixing board of water collector	1	12223000000028	
12	Evaporator assembly	1	15823100000482	
12.2	Pipe Temperature Sensor	1.0	11201007003437	
13	Rubber seal	1	12600801000001	
13	Rubber seal	1	12600801000002	
16	centrifuge fan assembly	1	12200101000253	
17	Brushless DC Motor	1	11002015010886	
19	Supporting bar	1	12223100000197	
24	Electric control box cover	1	12223000012120	
25	Remote controller for AHU settings	1	17317000A04396	