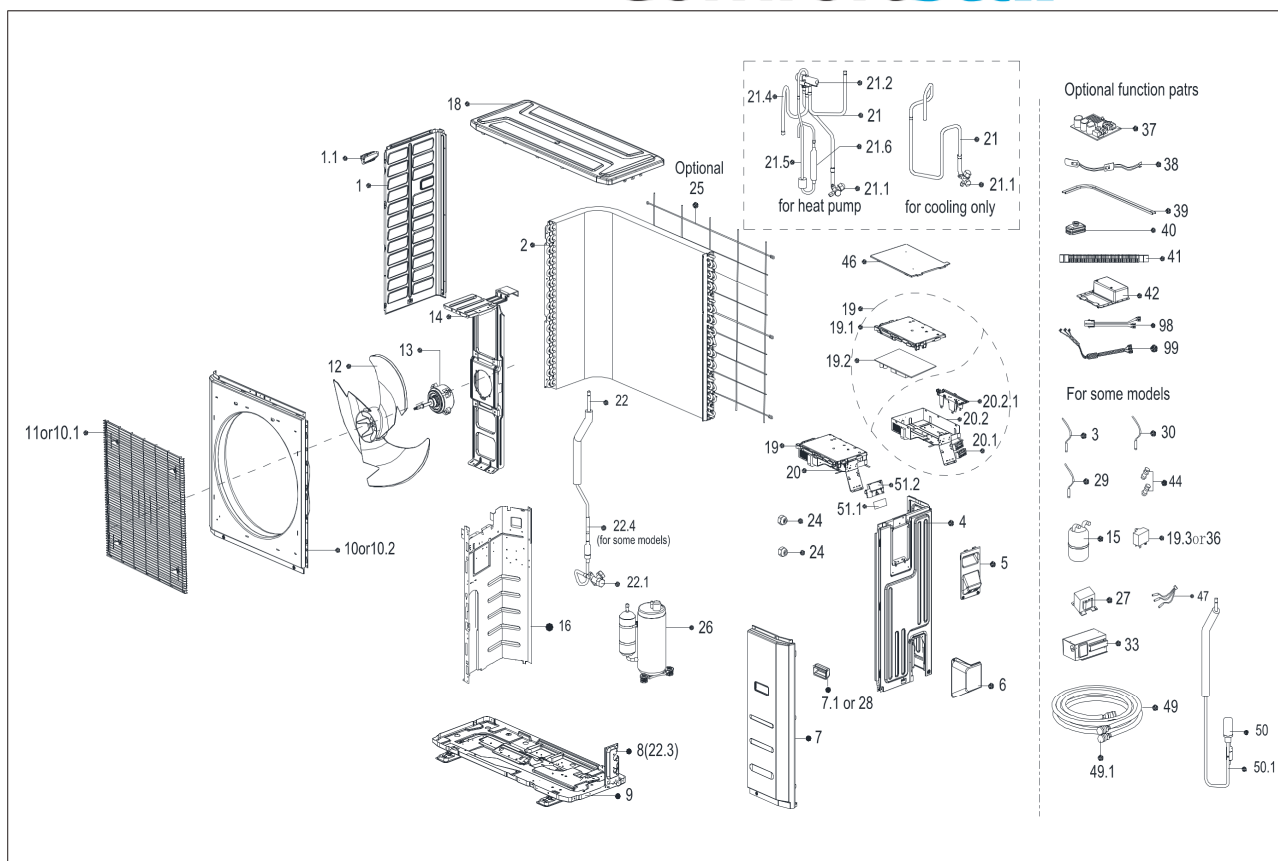


Exploded View

Model CPP036CD(O)-DUB

ComfortStar®



EX_ID	Spare Parts Code	Part Name(EN)	Qty.	Price	Remarks	Update
1	12222000006665	Left side plate assembly of cabinet	1			
1.1	12100701000033	Small handle	1			
2	15822000011096	Condenser assembly	1			
4	12222000006664	Rear Right Clapboard Assembly	1			
5	12222000013365	Big handle assembly	1			
6	12122200002695	Water Collector	1			
7	12222500A00135	Front Right Clapboard Assembly	1			
7.1	12100702000038	handle	1			
9	12222000004018	Chassis assembly	1			
10	12222000A01431	Front panel	1			
10.2	12222000016109	Front panel	1			
11	12222000014845	Air outlet grille	1			
12	12100105000084	Axial Flow Fan	1			
13	11002015000247	Brushless DC Motor	1			
14	12222000005162	Motor Bracket Assembly	1			

15	15500508000002	Liquid-storage tank	1			
16	12222000012328	Partition Board Assembly	1			
18	12222500000587	Top Cover Assembly	1			
19	17222000034234	Electronic control box subassembly	1		JSN after*21828xxxx	20230731
	17222000031407				JSN after*20113xxxx	20230731
19.1	12122000025662	Cover of electronic control box	1			
19.2	17122000051935	Outdoor main control board subassembly	1		JSN after*21828xxxx	20230731
	17122000048523				JSN after*20113xxxx	20230731
20	17222000031404	Terminal board subassembly	1			
20.1	17400401000075	Terminal	1			
20.2	12222000012985	Electronic installing box subassembly	1			
20.2.1	12122000024381	U-Typed Support with Copper Pipe	1			
21	15422500000236	4-way valve assembly	1			
21.1	15500204000025	Gas Valve	1			
21.2	15500216000681	Four-Way Valve	1			
21.4	15123000008207	Suction pipe	1			
21.5	15123000003661	Discharge pipe	1			
22	15422000017857	Liquid valve assembly	1			
22.1	15500208000286	Liquid Valve	1			
22.3	12222200002110	Valve plate	1			
22.4	15500210003229	Throttling valve	1			
24	15500406000003	Copper nut	1			
24	15500406000010	Copper nut	1			
25	12222000006604	Rear net	1			
26	11103020000719	DC Inverter Rotary Compressor	1			
31	15122500001076	Suction pipe assembly	1			
31.1	17400516000848	Pressure Controller	1		JSN after*21828xxxx	20230731
	17400516000008				JSN after*20113xxxx	20230731
32	15122000028897	Discharge pipe assembly	1			
32.1	17400516000849	Pressure Controller	1		JSN after*21828xxxx	20230731
	17400516000007				JSN after*20113xxxx	20230731
38	17402001000601	Crankcase electric heater	1			
39	17402002000466	Electric heating tube	1			
43	15122000026020	Radiator subassembly	1			
46	12122000016029	Cover of electronic control box	1			
47	11201011000168	Combination Sensor	1			
50	15422000017858	Electronic expansion valve subassembly	1			
50.1	15500213000265	Electronic expansion valve body	1			
51	17222000031403	Key board box subassembly	1			
51.1	17122000048520	Key board subassembly	1			
51.2	12122000025661	DR Installing Foundation	1			
99	17401203000939	Compressor wire subassembly	1			