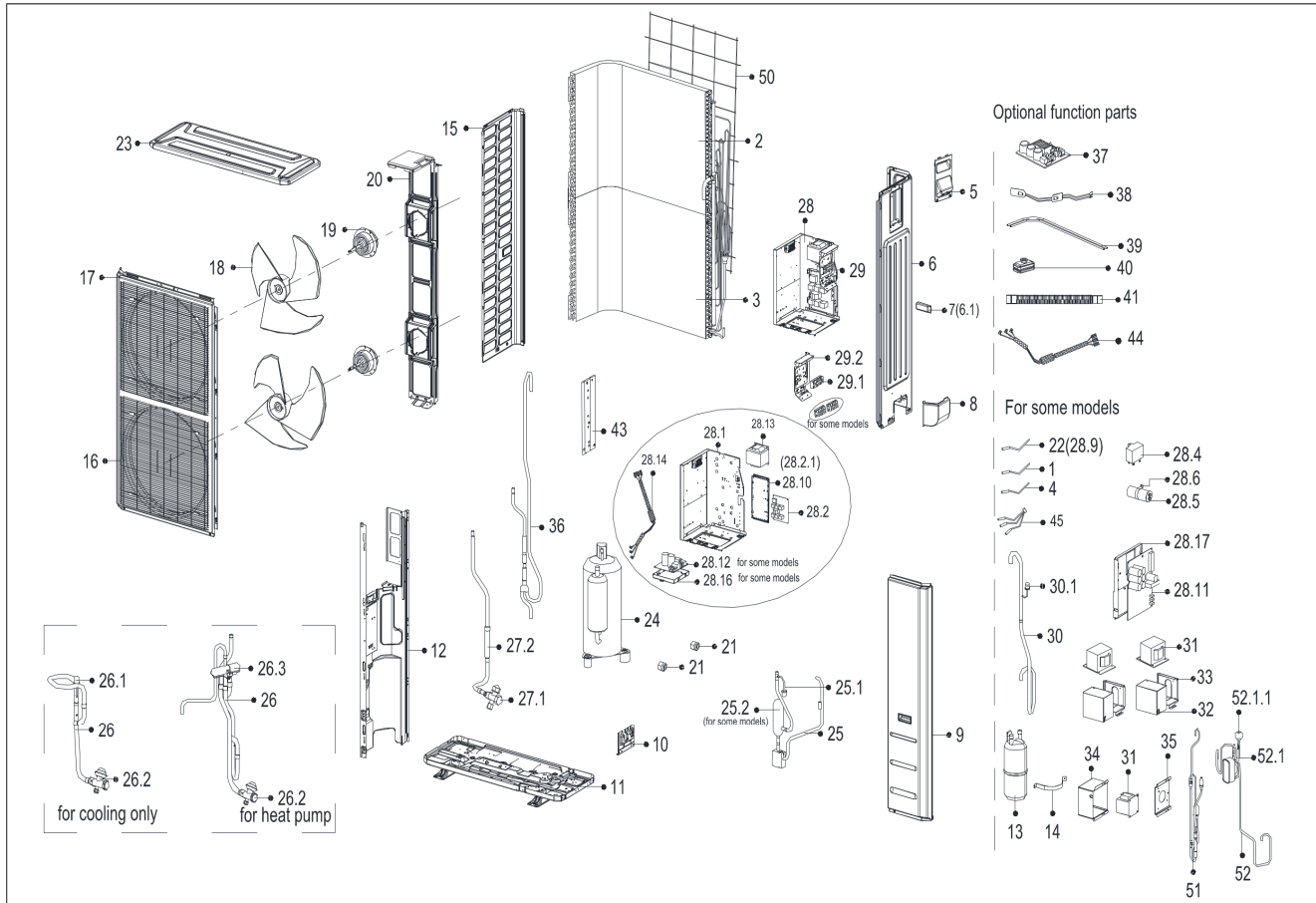


Exploded View

Model CPP048CD(O)-DUB

ComfortStar®



EX_ID	Spare Parts Code	Part Name(EN)	Qty.	Price	Remarks	Update
1	11201007003448	Room Temperature Sensor	1			
2	15822200001058	Condenser assembly	1			
3	15822200001056	Condenser assembly	1			
4	11201007003441	Pipe Temperature Sensor	1			
5	12222000013365	Big handle assembly	1			
6	12222000012373	Rear right clapboard assembly	1			
6.1	12100702000038	handle	1			
8	12122000014023	Water collector	1			
9	12222000006287	Front right clapboard assembly	1			
10	12222200002361	Valve plate	1			
11	12222000006290	Chassis assembly	1			
12	12222000005733	Partition Board Assembly	1			
13	15500508000009	Liquid-Storage Tank	1			

15	12222200002363	Left side plate assembly of cabinet	1			
16	12222000014845	Air outlet grille	2			
17	12222000007564	Front panel	1			
18	12100105000022	Axial Flow Fan	2			
19	11002015009825	Brushless DC Motor	2			
20	12222000006288	Supporter subassembly of fan motor	1			
21	15500406000003	Copper nut	1			
21	15500406000010	Copper nut	1			
22	11201007003124	Discharge Temperature Sensor	1			
23	12222200002359	Top cover assembly	1			
24	11103020002859	DC Inverter Rotary Compressor	1			
25	15122000027660	Discharge pipe assembly	1		JSN after*21828xxxx	20230731
	15122000026158				JSN after*20123xxxx	20230731
25.1	17400516000851	Pressure Controller	1		JSN after*21828xxxx	20230731
	17400516000007				JSN after*20123xxxx	20230731
26	15422000019174	4-way valve assembly	1		JSN after*21828xxxx	20230731
	15422000017592				JSN after*20123xxxx	20230731
26.2	15500204000061	Gas valve	1			
26.3	15500216000681	Four-Way Valve	1			
27	15422000019292	Liquid valve assembly	1		JSN after*21828xxxx	20230731
	15422000016397				JSN after*20123xxxx	20230731
27.1	15500208000286	Liquid Valve	1			
27.2	15500210001888	Throttle valve	1			
28	17222000034230	Electronic control box subassembly	1		JSN after*21828xxxx	20230731
	17222000031406				JSN after*20123xxxx	20230731
28.1	12222000012372	Installation Plate of Electric Parts Subassembly	1			
28.2	17122000048160	Inverter module subassembly	1		JSN after*21828xxxx	20230731
	17122000048534				JSN after*20123xxxx	20230731
28.10	12122000014342	Electronic installing box	1			
28.11	17122000051933	Outdoor main control board subassembly	1			
28.14	17401203000936	Compressor Wires Subassembly	1			
28.17	12122000020943	Electronic installing box	1			
29	17222000031405	Terminal board subassembly	1			
29.1	17400401000085	Wire joint	1			
29.1	17400401000098	Terminal	1			
29.1	17400401003456	Wire joint	1			
29.2	12222000012265	Terminal Instalation Subassembly	1			
30	15122000026165	Suction pipe assembly	1			
30.1	17400516000008	Pressure Controller	1			
38	17402001000602	Crankcase electric heating strip	1			
39	17402002000466	Electric heating tube	1			

43	15122000024994	Radiator subassembly	1			
50	12222000007944	Rear net	1			
51	15422000019492	Electronic expansion valve subassembly	1		JSN after*21828xxx	20230731
	15422000017859				JSN after*20123xxx	20230731
51.1	15500213000245	Electronic expansion valve	1			