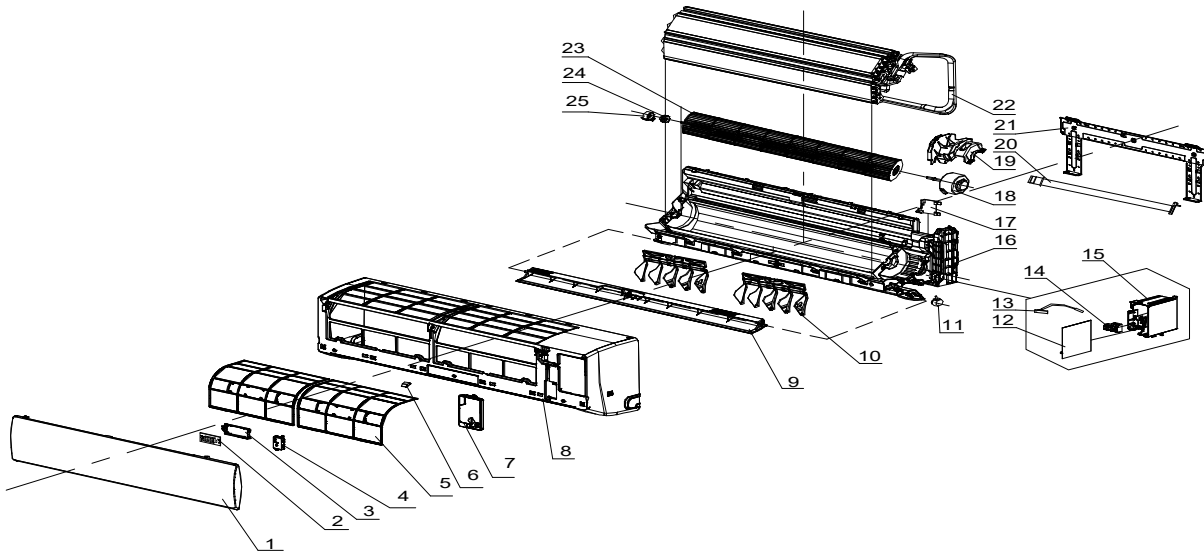


Indoor Unit- CLA12CA-L(I)



No.	Part No.	Part Name	Q'ty
1	41106-001481	Front Panel	1
2	31102-000084	Display PCB	1
3	42003-000001	Display PCB Box	1
4	/	WiFi PCB	1
5	42008-000037	Air Filter	2
6	41108-000066	Screw Cover	1
7	41201-000068	Electrical Box Cover	1
8	41106-002371	Face Frame	1
9	41103-000101	Vane	1
10	41101-000081	Vertical Vane Assembly	2
11	22001-000313	Vane Motor	1
12	31101-001377	Main PCB	1
13	10104-100014	Indoor Sensor Assembly	1
14	11304-100028	Terminal	1
15	41105-000366	Electrical Box	1
16	41199-002741	Base	1
17	41101-000242	In And Out Pipe Fixer	1
18	22001-000238	Indoor Motor	1
19	42003-000060	Indoor Motor Cover	1
20	42009-000011	Drainage Hose	1
21	41109-000042	Installation Plate	1
22	92011-005357	Evaporator	1
23	42004-000039	Cross Fan	1
24	42007-000009	Bearing Mount	1
25	41101-000251	Bearing Mount holder	1
26	22013-006503	Remote Controller	1
27	/	Indoor Carton	1
28	A2006-000052	Left Foaming	1
29	A2006-000032	Right Foaming	1