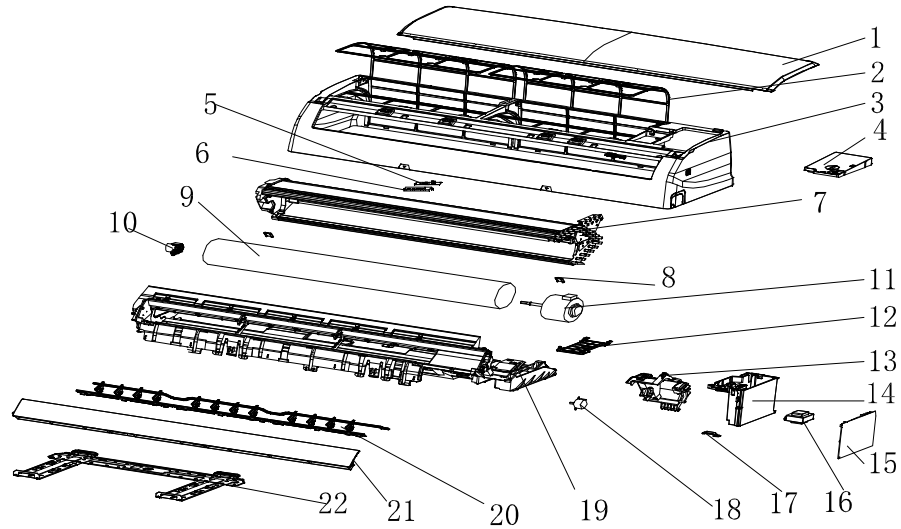


Indoor Unit-CLA12CD-L(I)



No.	Part No.	Part Name	Q'ty
1	41106-001481	Front Panel	1
2	42008-000037	Air Filter	2
3	41106-002371	Face Frame	1
4	41201-000068	Electrical Box Cover	1
5	31102-000084	Display PCB	1
6	42003-000001	Display PCB Box	1
7	92011-005357	Evaporator	1
8	41108-000066	Screw Cover	1
9	42004-000039	Cross Fan	1
10	42007-000009	Bearing Mount	1
11	22001-000269	Indoor Motor	1
12	41101-000242	In And Out Pipe Fixer	1
13	42003-000060	Indoor Motor Cover	1
14	41105-000366	Electrical Box	1
15	31101-000269	Main PCB	1
16	10502-100030	Transformer	1
17	42001-000103	Cable Clamp	1
18	22001-000313	Vane Motor 1	1
19	41199-002741	Base	1
20	41101-000081	Vertical Vane Assembly	2
21	41103-000101	Vane	1
22	41109-000042	Installation Plate	1
23	10104-100014	Indoor Sensor Assembly	1
24	42009-000011	Drainage Hose	1
25	22013-006503	Remote Controller	1
26	/	Indoor Carton	1
27	A2006-000052	Left Foaming	1
28	A2006-000032	Right Foaming	1