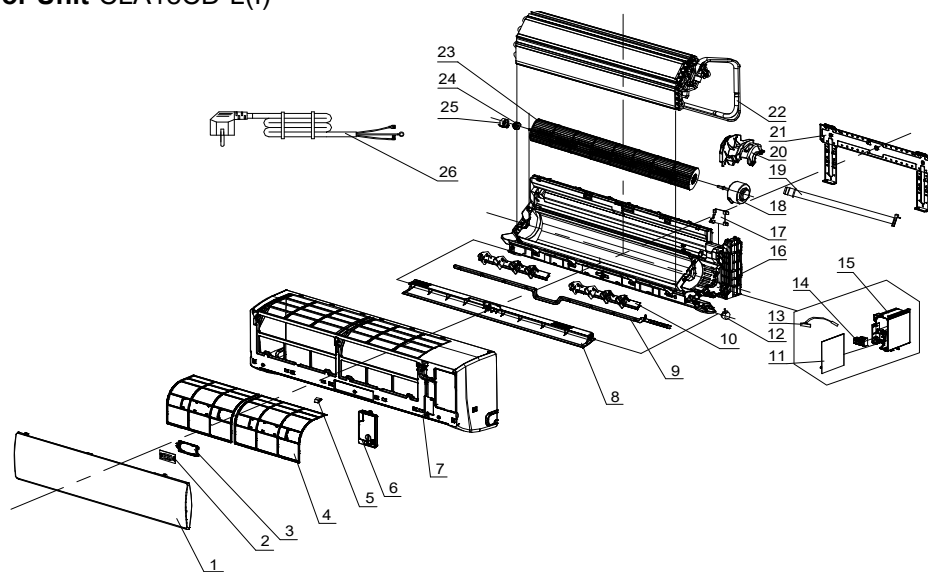


Indoor Unit-CLA18CD-L(I)



No.	Part No.	Part Name	Q'ty	Remark
1	41106-001517	Front Panel	1	81102-101125
2	31102-000084	Display PCB	1	
3	42003-000001	Display PCB Box	1	
4	42008-000075	Air Filter	2	
5	41108-000066	Screw Cover	3	
6	41105-000146	Electrical Box Cover	1	
7	41106-002356	Face Frame	1	
8	41103-000149	Vane	1	
9	41101-000193	Vertical Vane Connector	1	
10	41101-000067	Vertical Vane Assembly	2	
11	22001-000321	Vane Motor	1	
12	31101-001901	Main PCB	1	
13	10104-100014	Indoor Sensor Assembly	1	
14	11304-100028	Terminal	1	
15	41105-000415	Electrical Box	1	
16	41102-000045	Base	1	
17	41101-000242	In And Out Pipe Fixer	1	
18	22001-000409	Indoor Motor	1	
19	41108-000013	Indoor Motor Cover	1	
20	42009-000011	Drainage Hose	1	
21	41109-000041	Installation Plate	1	
22	92011-002862	Evaporator	1	
23	42004-000012	Cross Fan	1	
24	42007-000009	Bearing Mount	1	
25	41101-000251	Bearing Mount holder	1	
26	22007-000107	Power Supply Cord	1	
27	22013-006503	Remote Controller	1	
28	/	Indoor Carton	1	
29	A2006-000040	Left Foaming	1	
30	A2006-000019	Right Foaming	1	