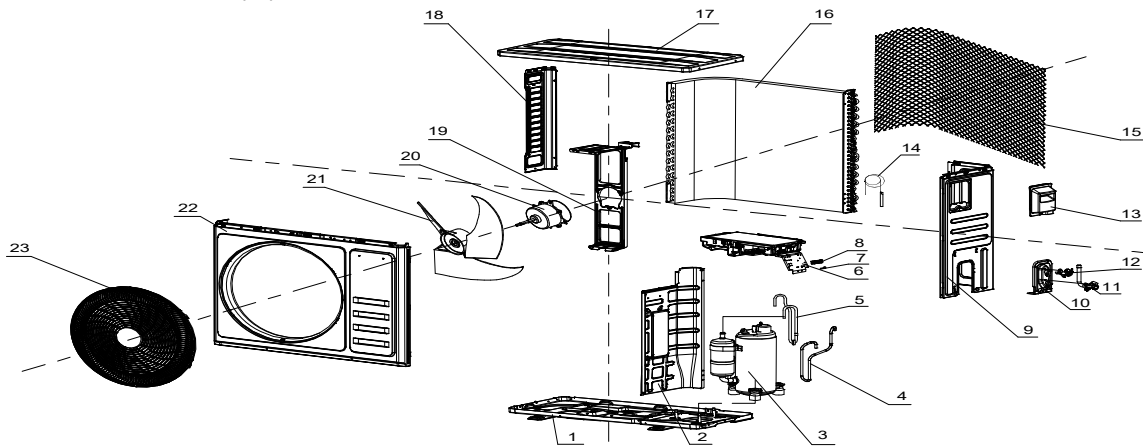


**OUTDOOR UNIT**  
**Model: CLA18CD-L(O)**



No.	Part No.	Part Name	Q'ty
1	41202-000364	Base	1
2	41208-000149	Partition plate	1
3	92014-000804	Compressor and accessories	1
4	92007-007672	Suction pipe	1
5	92006-007029	Discharge pipe	1
6	31201-002162	Outdoor PCB Assembly	1
7	42001-000038	Cable clamp	1
8	11304-100004	Terminal	1
9	41205-000184	Right plate	1
10	41204-000018	Valve supporter	1
11	92008-000146	Three-way valve	1
12	92008-000051	Two-way valve	1
13	41201-000029	Eelectronic Box Cover	1
14	92007-017772	Capillary assembly	1
15	42011-000105	Grille	1
16	92011-008505	Condenser	1
17	41207-000033	Top cover	1

18	41205-000130	Left plate	1
19	41203-000048	Outdoor motor supporter	1
20	22001-000493	Outdoor motor	1
21	42004-000104	Propeller fan	1
22	41206-000055	Front plate	1
23	42011-000081	Fan guard	1
24	10104-100056	Outdoor Temp. sensor	1
25	A2005-000540	Base carton	1
26	/	Cabinet carton	1
27	A1202-000026	Base foaming	1
28	41213-000019	Cover foaming	1