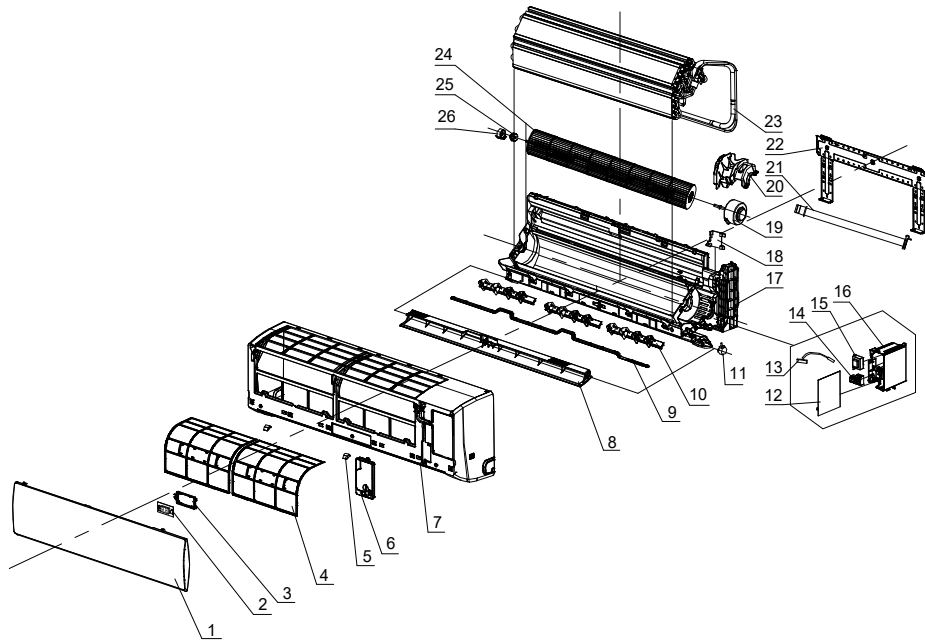


Indoor Unit-CLA24CD-L(I)



No.	Part No.	Part Name	Q'ty
1	41106-001600	Front Panel	1
2	31102-000084	Display PCB	1
3	42003-000001	Display PCB Box	1
4	42008-000001	Air Filter	1
5	41108-000066	Screw Cover	2
6	41105-000146	Electrical Box Cover	1
7	41106-002351	Face Frame	1
8	41103-000484	Vane	1
9	41507-000062	Vertical Vane Connector	1
10	41101-000042	Vertical Vane Assembly	3
11	22001-000321	Vane Motor	1
12	31101-001633	Main PCB	1
13	10104-100014	Indoor Sensor Assembly	1
14	11304-100028	Terminal	1
15	/	Transformer	1
16	41105-000366	Electrical Box	1
17	41102-000032	Base	1
18	41101-000224	In And Out Pipe Fixer	1
19	22001-000240	Indoor Motor	1
20	42003-000045	Indoor Motor Cover	1
21	42009-000011	Drainage Hose	1
22	41109-000019	Installation Plate	1
23	92011-002991	Evaporator	1
24	42004-000002	Cross Fan	1
25	42007-000009	Bearing Mount	1
26	41101-000251	Bearing Mount holder	1
27	22013-006503	Remote Controller	1
28	/	Indoor Carton	1