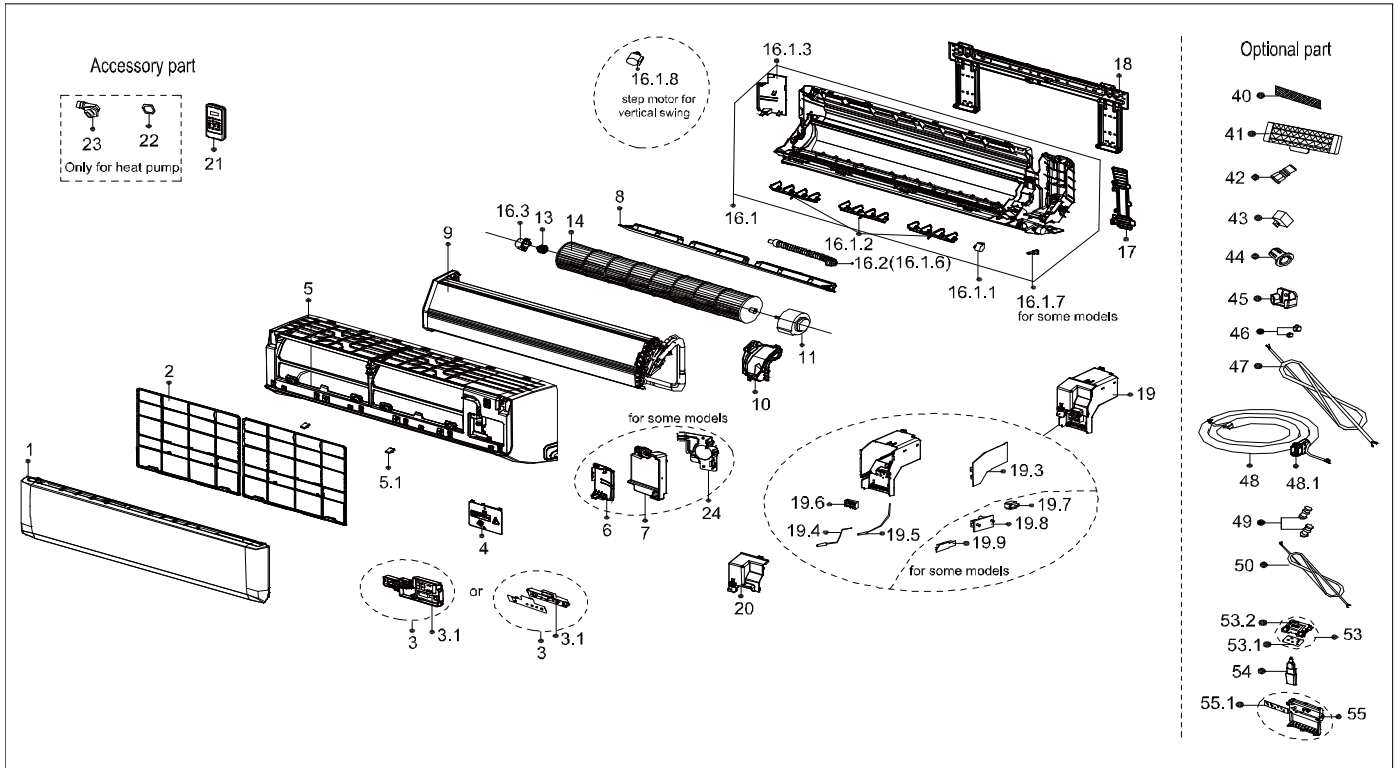


# Exploded View

Model

CGS24CD(I)

**ComfortStar®**



| EX_ID | Spare Parts Code | Part Name(EN)                 | Qty. | Price | Remarks |
|-------|------------------|-------------------------------|------|-------|---------|
| 1     | 12122000A86740   | Panel assembly                | 1    |       |         |
| 2     | 12100204000461   | Air filter                    | 2    |       |         |
| 3     | 17222000A58427   | Display box subassembly       | 1    |       |         |
| 3.1   | 17122000047923   | Display board subassembly     | 1.0  |       |         |
| 4     | 12122000025611   | Cover of electrical equipment | 1    |       |         |
| 5     | 12122000025606   | Panel frame assembly          | 1    |       |         |
| 5.1   | 12122000013139   | Screw Cap                     | 2.0  |       |         |
| 6     | 12122000004608   | Front cover of chassis(right) | 1    |       |         |
| 7     | 12122000025617   | Cover board for wiring        | 1    |       |         |

|        |                |  |     |  |  |
|--------|----------------|--|-----|--|--|
| 8      | 12122000025607 | Horizontal louver                                    | 1   |  |  |
| 9      | 15822000A17799 | Evaporator assembly                                  | 1   |  |  |
| 10     | 12122000005512 | Fan motor cover                                      | 1   |  |  |
| 11     | 11002015008646 | Brushless DC Motor                                   | 1   |  |  |
| 13     | 12622000000131 | Bearing components                                   | 1   |  |  |
| 14     | 12100102000018 | Cross flow fan                                       | 1   |  |  |
| 16     | 12122000028181 | Chassis assembly                                     | 1   |  |  |
| 16.1   | 12122000028182 | Chassis assembly                                     | 1.0 |  |  |
| 16.1.1 | 11002010000049 | Stepper Motor  | 1.0 |  |  |
| 16.1.2 | 12122000000135 | Horizontal louver                                    | 3.0 |  |  |
| 16.1.3 | 12122000004614 | Front cover of chassis                               | 1.0 |  |  |
| 16.1.6 | 12100501000032 | Drain hose   | 1.0 |  |  |
| 16.1.7 | 12122000000344 | Insulated axis                                       | 1.0 |  |  |
| 16.3   | 12122000000350 | Bearing holder                                       | 1.0 |  |  |
| 17     | 12122000012942 | pipe clamp board                                     | 1   |  |  |
| 18     | 12222000000026 | Installation plate                                   | 1   |  |  |
| 19     | 17222000A63694 | Electronic control box subassembly (Mid-and low-end) | 1   |  |  |
| 19.2   | 12122000025614 | Electronic control box BMC                           | 1.0 |  |  |
| 19.3   | 17122000052118 | Main control board subassembly                       | 1.0 |  |  |
| 19.4   | 11201007003425 | Room temperature sensor                              | 1.0 |  |  |
| 19.5   | 11201007003445 | Pipe Temperature Sensor                              | 1.0 |  |  |
| 19.6   | 17400401000576 | Wire joint   | 1.0 |  |  |
| 20     | 12122000025610 | Cover of electronic control box (BMC)                | 1   |  |  |
| 21     | 17317000A63487 | Remote controller                                    | 1   |  |  |
| 22     | 12600701000039 | seal ring  | 1   |  |  |
| 23     | 12100509000061 | Drain hose   | 1   |  |  |
| 24     | 12222000004705 | pipe connect board                                   | 1   |  |  |
| 40     | 12100204000685 | Air freshening filter                                | 1   |  |  |
| 42     | 15500209000002 | Detection valve                                      | 1   |  |  |
| 45     | 12122000029201 | Bracket of remote Controller                         | 1   |  |  |
| 46     | 15500406000003 | Copper nut   | 1   |  |  |
| 46     | 15500406000010 | Copper nut   | 1   |  |  |
| 47     | 17401203A01550 | Indoor and Outdoor Junction Cable                    | 1   |  |  |