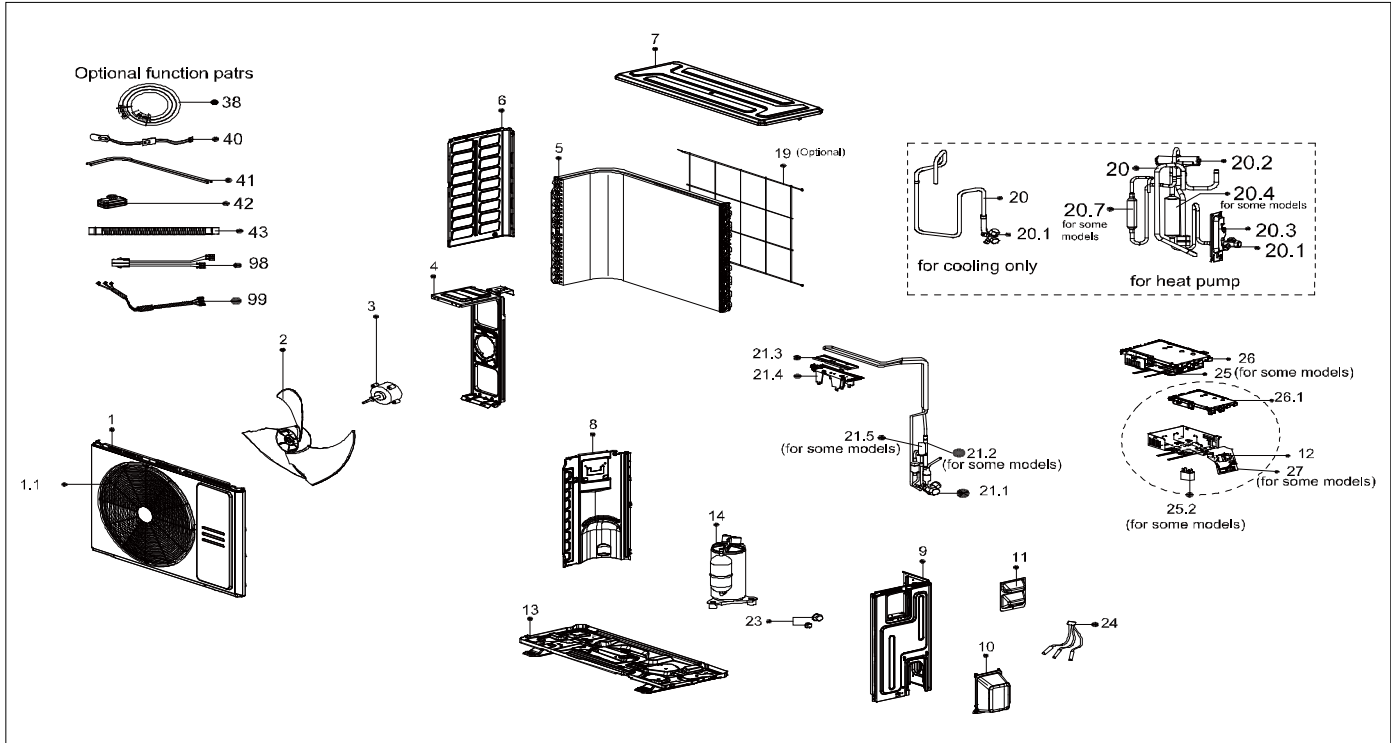


Exploded View

Model CGS24CD(O)

ComfortStar®



EX_ID	Spare Parts Code	Part Name(EN)	Qty.	Price	Remarks	Update
1	12222000A06282	Front panel assembly	1			
2	12100105000841	Axial flow fan	1			
3	11002015000366	Brushless DC Motor	1			
4	12222000012371	Supporter of fan motor	1			
5	15822000009836	Condenser assembly	1			
6	12222000013472	Left supporter	1			
7	12222000013465	Top cover assembly	1			
8	12222000013245	Partition board assembly	1			
9	12222000013466	Right clapboard assembly	1			
10	12122000007150	Water collector	1			
11	12222000010966	Big handle assembly	1			
12	17400401000068	Terminal	1			
13	12222000014054	Chassis assembly	1			
14	11103020006879	DC Inverter rotary compressor	1			
19	12222000013085	Rear net	1			
20	15422000018832	4-way valve assembly	1			

20.1	15500204000502	Gas valve	1.0			
20.2	15500216000026	4-way Valve	1.0			
20.3	12222200005738	Valve plate	1.0			
20.4	15122000027161	Muffler subassembly	1.0			
20.7	15122000027116	Muffler subassembly	1.0			
21	15422000018052	Liquid valve Assembly	1			
21.1	15500208000286	Liquid valve	1.0			
21.2	15500210004449	Throttle valve element	1.0		JSN after *23124xxxx	20230608
	15500210000768				JSN after *21A16xxxx	
21.2	15500210000061	Throttle valve	1.0			
21.3	11203803001176	Radiator	1.0			
21.4	12122000011478	U-Typed Support with Copper Pipe	1.0			
24	11201011000188	Combination sensor	1			
25	17222000031639	Terminal Board Subassembly	1		JSN after *23124xxxx	20230608
26	17222000037718	Electronic control box subassembly	1			
26.1	12122000008999	Electronic installing box	1.0			
38	15111600A00018	Connecting pipe assembly	1			
40	17402001000603	Crankcase electric heater	1			
41	17402002000544	tube type electric heater	1			
99	17401203012697	Compressor wire subassembly	1			