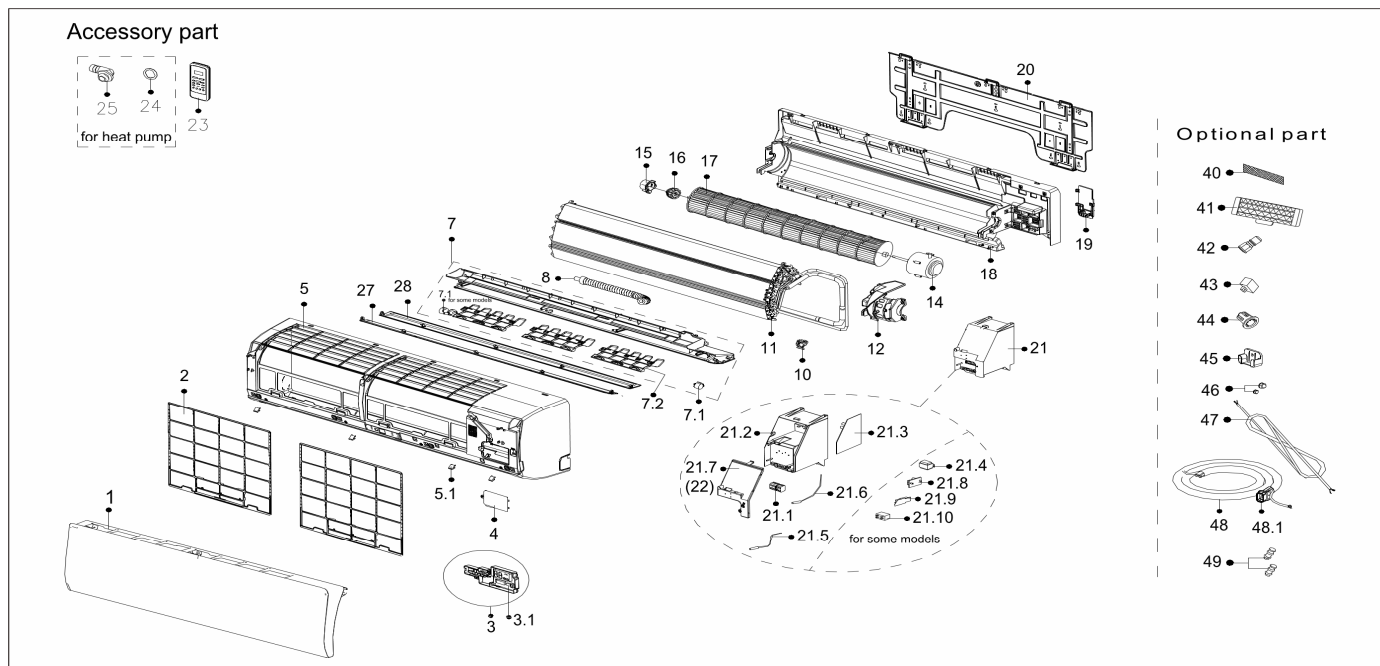


Exploded View

Model

CGS36CD(I)

ComfortStar®



| EX_ID | Spare Parts Code | Part Name(EN) | Qty. | Price | Remarks | Update |
|-------|------------------|-----------------------------------|------|-------|---------|--------|
| 1 | 12122000A86742 | Panel assembly | 1 | | | |
| 2 | 12122000025962 | Air filter | 2 | | | |
| 3 | 17222000A58427 | Display box subassembly | 1 | | | |
| 3.1 | 17122000047923 | Display board subassembly | 1 | | | |
| 4 | 12122000006694 | Cover of electrical equipment | 1 | | | |
| 5 | 12122000001931 | Panel frame assembly | 1 | | | |
| 5.1 | 12122000006272 | Screw Cap | 4 | | | |
| 7 | 12122000028165 | Air outlet assembly | 1 | | | |
| 7.1 | 11002010001666 | Stepper motor | 1 | | | |
| 7.2 | 12122000000148 | Horizontal louver1 | 3 | | | |
| 7.5 | 12600801000081 | Drainage plug | 1 | | | |
| 8 | 12100501000021 | Drain hose1 | 1 | | | |
| 10 | 12122000024323 | Fixed clamp of temperature sensor | 1 | | | |
| 11 | 15822000A19284 | Evaporator assembly | 1 | | | |
| 12 | 12122000005475 | Fan motor cover | 1 | | | |
| 14 | 11002015008646 | Brushless DC Motor | 1 | | | |

| | | | | | | |
|------|----------------|--|---|--|----------------------|----------|
| 15 | 12122000000350 | Bearing holder | 1 | | | |
| 16 | 12622000000131 | Bearing components | 1 | | | |
| 17 | 12100102000084 | Cross flow fan | 1 | | | |
| 18 | 12122000003909 | Chassis assembly | 1 | | | |
| 19 | 12122000000460 | pipe clamp board | 1 | | | |
| 20 | 12222000000029 | Installation plate | 1 | | | |
| 21 | 17222000036474 | Electronic control box subassembly (Mid-and low-end) | 1 | | | |
| 21.1 | 17400401000576 | Wire joint | 1 | | | |
| 21.2 | 12122000004617 | Electronic control box | 1 | | | |
| 21.3 | 17122000054232 | Main control board subassembly | 1 | | | |
| 21.5 | 11201007003424 | Room Temperature Sensor | 1 | | | |
| 21.6 | 11201007003447 | Pipe Temperature Sensor | 1 | | | |
| 21.7 | 12122000005040 | Cover of electronic control box | 1 | | | |
| 23 | 17317000A63487 | Remote controller | 1 | | | |
| 24 | 12600701000039 | seal ring | 1 | | | |
| 25 | 12100509000061 | Drain hose2 | 1 | | | |
| 27 | 12122000006106 | Horizontal louver2 | 1 | | | |
| 28 | 12122000008092 | Horizontal louver3 | 1 | | | |
| 40 | 12100204000685 | Air freshening filter | 1 | | | |
| 42 | 15500209000002 | Detection valve | 1 | | | |
| 45 | 12122000029201 | Bracket of remote Controller | 1 | | | |
| 46 | 15500406000003 | Copper nut1 | 1 | | | |
| 46 | 15500406000010 | Copper nut2 | 1 | | | |
| 47 | 17401203026700 | Indoor and Outdoor Junction Cable | 1 | | JSN after *23125xxxx | 20230608 |
| | 17401203A01550 | | | | JSN after *21A16xxxx | |