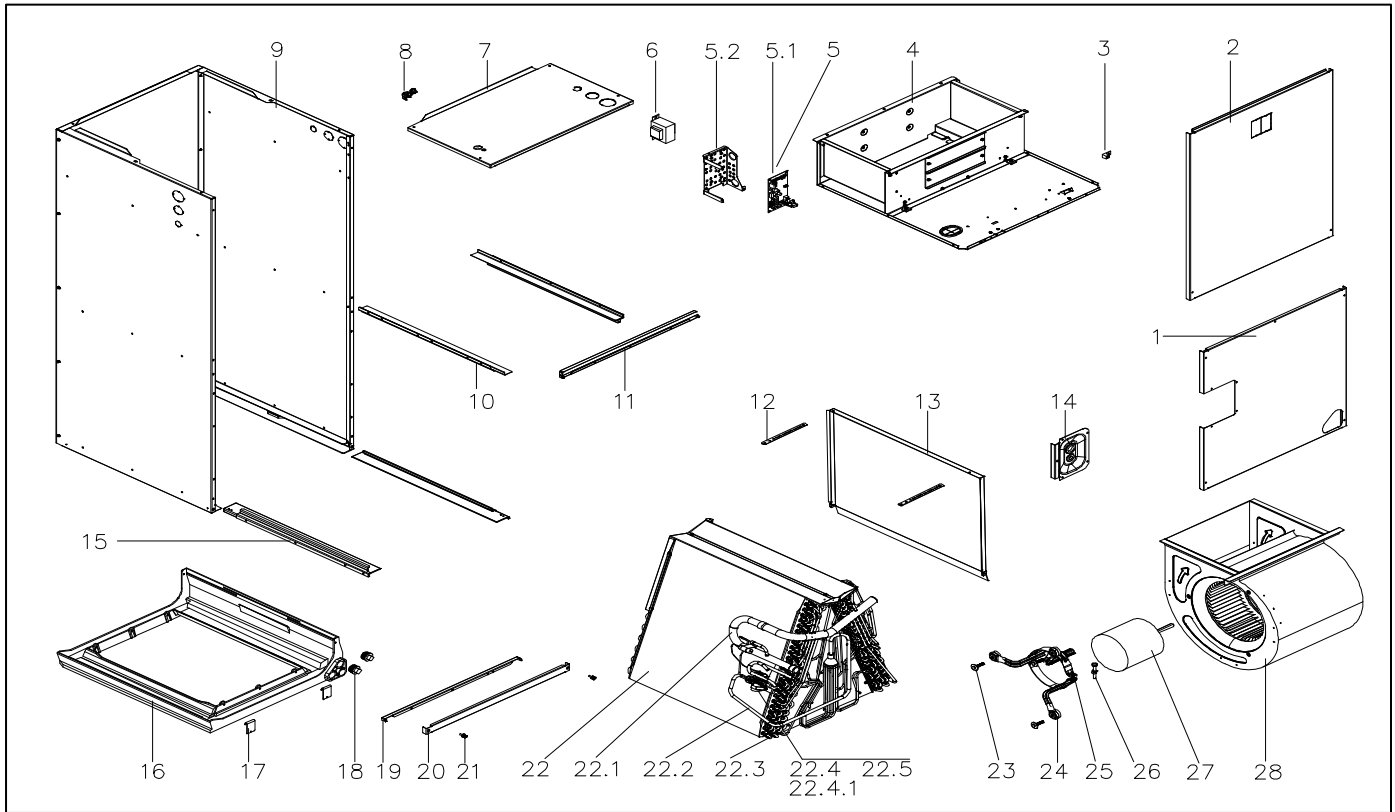


Exploded View

Model LCM5-61-15

ComfortStar®



EX_ID	Spare Parts Code	Part Name(EN)	Qty.	Price	Remarks
1	12223000010749	Side panel assembly	1		
2	12223000002187	Baffle ass'y	1		
3	11201708000008	Wiring Terminal	1		
4	12223000002127	Air channel ass'y	1		
5	17223000A06017	E-part box assembly	1		
5.1	17123000A02985	Indoor unit main control board	1.0		
5.2	12223000002175	Electric installation board	1.0		
6	11203103000194	Linear Transformer	1		
7	12223000011471	Side board ass'y	1		

8	12100304000153	Orientation line	1		
9	12223000002361	Base ass'y	1		
10	12223000001940	Drainage pan supporting board	2		
11	12223000010767	Supporter assembly	1		
12	12223000010756	Drainage pan clamp	2		
13	12223000001210	Drainage pan II	1		
14	12223000011470	Cover plate ass'y	1		
15	12223000010759	Drainage pan supporting board	2		
16	12123000000110	Drain pan ass'y	1		
17	12223000000028	Water pan cushion	2		
18	15500402000023	seal plug	2		
19	12223000002101	Supporting bar	1		
20	12223000002000	Filter cover	1		
21	11301230000002	Screw	2		
22	15823000A04256	Evaporator assembly	1		
22.1	15223000000247	Output pipe assembly	1.0		
22.2	15423000004758	Evaporator input pipe assembly	1.0		
22.3	15823000004724	Evaporator	2.0		
22.4	15423000004780	Evaporator input pipe assembly	1.0		
22.4.1	15500213001045	thermostatic expansion valve	1.0		
22.5	12100901000010	Sealing ring	1.0		
23	11301002000673	Hexagon head bolt and plain washer	3		
24	12223000001932	Supporter subassembly of fan motor	3		
25	12223000001992	Supporter of fan motor	1		
26	11301705000106	Hexagon head bolt	1		
27	11002015007641	Brushless DC Motor	1		
28	12200101000029	Fan assembly	1		