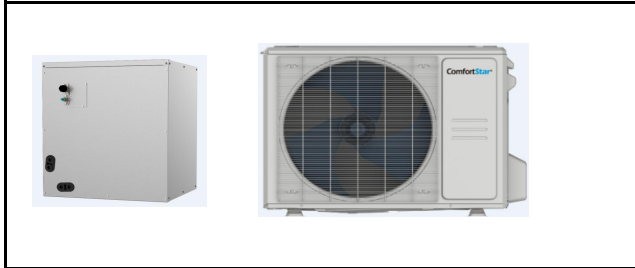


SUBMITTAL DATA SHEET



A-Coil (18000Btu/h)	
Location: _____ Engineer: _____ Submitted to: _____ Submitted by: _____ Reference: _____	Approval: _____ Date: _____ Construction: _____ Unit #: _____ Drawing #: _____

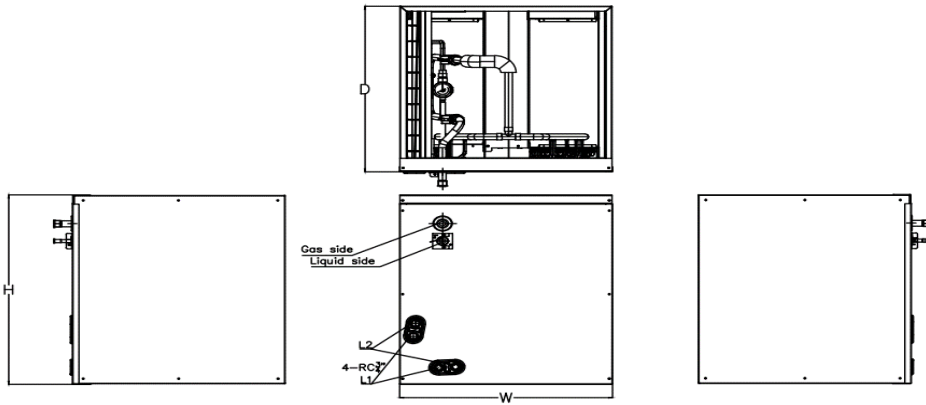
Set Model	
Indoor unit model	ACP-24B
Outdoor unit model	CPR18CD(O)
Certified	
AHRI	
UL	



SYSTEM PERFORMANCE DATA		
Power supply		
Normal Operational Voltage	(V, Ph, Hz)	208/230V, 1Ph, 60Hz
Voltage Range	(V)	187-253
Electrical		
Minimum circuit ampacity	(A)	16
Max.fuse	(A)	20
Connection wiring		18AWG
Cooling		
Rated Capacity	(Btu/h)	18000
Capacity Range	(Btu/h)	5800~18600
Power Input (Max)	(W)	1770(250~1890)
Rated current	(A)	7.39(1.0~8.0)
SEER2	(Btu/W)	15.6
EER2	(Btu/W)	10.2
Heating (Standard conditions)		
Rated Capacity	(Btu/h)	18500
Capacity Range	(Btu/h)	6500~19800
Power Input (Max)	(W)	1705(480~2100)
Rated current	(A)	7.64(2.0~11.0)
HSPF2-4	(Btu/W)	8.6
HSPF2-5	(Btu/W)	6.9
COP	W/W	3.18
Heating at 5F		
Capacity	(Btu/h)	10400
COP	W/W	1.94
REFRIGERANT PIPE DATA		
Design pressure	(PSIG)	550/340
Refrigerant Type		R410A
Refrigerant charge	(kg)	1.6
	(oz)	56.4
Additional charge for each ft	(oz/ft)	0.69
	(g/m)	65
Liquid side/ Gas side	(inch)	3/8" / 3/4"
	(mm)	Φ9.52 / Φ19
Max. pipe length	(ft)	164.0
	(m)	50
Max. difference in level	(ft)	82.0
	(m)	25
Connection method	Indoor	Braze
	Outdoor	Flared to braze
Indoor(cooling)	(Deg. °F / °C)	62~90/17~32
Indoor(heating)	(Deg. °F / °C)	32~86 / 0~30
Outdoor(cooling)	(Deg. °F / °C)	5~122 / -15 ~ 50
Outdoor(heating)	(Deg. °F / °C)	5~75 / -15 - 24

INDOOR UNIT DATA		
Throttle		TXV for Cooling
Indoor fan motor		
Type		---
Model		---
Qty		---
Input	(W)	---
RLA	(A)	---
LRA	(A)	---
Winding Resistance	(Ω)	---
Capacitor	(uF)	---
Speed(Hi/Mi/Lo)	(r/min)	---
Air flow & Noise level		
Indoor air flow (Hi/Med/Lo)	(CFM)	---
Indoor noise level (Hi/Med/Lo)	[dB(A)]	---
Dehumidification		
	(Pint/H)	---
Indoor unit		
Dimension (WxDxH)	(inch)	17.52x20.98x17.99
	(mm)	445x533x457
Packing(WxDxH)	(inch)	19.88x25.59x19.29
	(mm)	505x650x490
Net/Gross weight	(lbs.)	42.77/52.03
	(kg)	19.4/23.6
OUTDOOR UNIT DATA		
Compressor		
Type		KSN140D21UFZ
Model		ROTARY
Brand		GMCC
Capacity	(Btu/h)	4385
Input	(W)	1140
Rated current (RLA)	(A)	9
Refrigerant oil/oil charge	(ml)	VG74/440
Throttle		
		EEV for heating
Outdoor fan motor		
Model		ZKFN-34-10-1-3
Qty		1
Input	(W)	/
RLA	(A)	1
Speed	(r/min)	840/700/650
Air flow & Noise level		
Outdoor air flow (Max.)	(CFM)	1450.0
Outdoor noise level	[dB(A)]	58
Outdoor unit		
Dimension (W×D×H)	(inch)	31.69x12.99x21.81
	(mm)	805x330x554
Packing (W×D×H)	(inch)	36.02x14.57x24.21
	(mm)	915x370x615
Net/ Gross weight	(lbs.)	75.84/81.35
	(kg)	34.4/36.9

Indoor unit dimension



Model	Unit	Dimensions (mm)			Drain hole	
		W	D	H	L1	L2
12K-24K	mm	445	533	457	Main drain hole	Overflow drain hole
	inch	17 1/2	21	18		
30K-48K	mm	533	533	609	Main drain hole	Overflow drain hole
	inch	21	21	24		
60K	mm	622	533	711	Main drain hole	Overflow drain hole
	inch	24	21	28		

Outdoor unit dimension

