



SUBMITTAL DATA SHEET

ComfortStar®

A-Coil (36000Btu/h)	
Location: _____ Engineer: _____ Submitted to: _____ Submitted by: _____ Reference: _____	Approval: _____ Date: _____ Construction: _____ Unit #: _____ Drawing #: _____

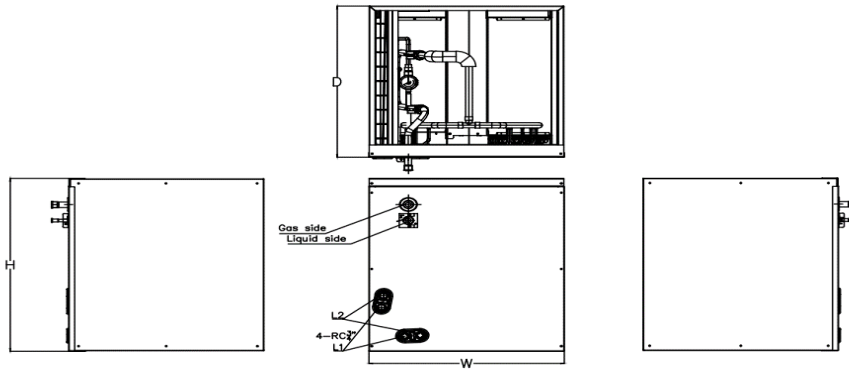
Set Model	Indoor unit model ACP-36C Outdoor unit model CPH36CD(0)
Certified	AHRI  UL 



SYSTEM PERFORMANCE DATA		
Power supply		
Normal Operational Voltage	(V, Ph, Hz)	208/230V, 1Ph, 60Hz
Voltage Range	(V)	187-253
Electrical		
Minimum circuit ampacity	(A)	40.0
Max.fuse	(A)	50.0
Connection wiring		18AWG
Cooling		
Rated Capacity	(Btu/h)	35000
Capacity Range	(Btu/h)	11700~40000
Power Input (Max)	(W)	3530(800~5000)
Rated current	(A)	14.8(3.5~21)
SEER2	(Btu/W)	15.2
EER2	(Btu/W)	10.0
Heating at 47F		
Rated Capacity	(Btu/h)	39000
Capacity Range	(Btu/h)	9200~50000
Power Input (Max)	(W)	3600(800~5000)
Rated current	(A)	15.65(3.5~21)
HSPF2-4	(Btu/W)	10.0
HSPF2-5	(Btu/W)	8.0
COP	W/W	3.18
Heating at 5F		
Capacity	(Btu/h)	32000
COP	W/W	2.0
REFRIGERANT PIPE DATA		
Design pressure	(PSIG)	550/340
Refrigerant Type	(Oz)	R410A/165.79
Refrigerant precharge	(ft)	25.0
	(m)	7.6
Additional charge for each ft	(oz/ft)	0.69
	(g/m)	65.0
Liquid side/ Gas side	(inch)	3/8" / 3/4"
	(mm)	Φ9.52 / Φ19
Max. pipe length	(ft)	213.3
	(m)	65.0
Max. difference in level	(ft)	98.4
	(m)	30.0
Connection method	Indoor	Braze
	Outdoor	Flared to braze
Indoor(cooling)	(Deg. °F / °C)	62~90 / 17~32
Indoor(heating)	(Deg. °F / °C)	32~86 / 0~30
Outdoor(cooling)	(Deg. °F / °C)	5~122 / -15~50
Outdoor(heating)	(Deg. °F / °C)	-22~75 / -30~24

INDOOR UNIT DATA	
Throttle	TXV for Cooling
Indoor fan motor	
Type	---
Model	---
Qty	---
Input	(W) ---
RLA	(A) ---
LRA	(A) ---
Winding Resistance	(Ω) ---
Capacitor	(uF) ---
Speed(Hi/Mi/Lo)	(r/min) ---
Air flow & Noise level	
Indoor air flow (Hi/Med/Lo)	(CFM) ---
Indoor noise level (Hi/Med/Lo)	[dB(A)] ---
Dehumidification	
	(Pint/H) ---
Indoor unit	
Dimension (WxDxH)	(inch) 20.98x20.98x23.98
	(mm) 533x533x609
Packing(WxDxH)	(inch) 23.43x25.59x25.39
	(mm) 595x650x645
Net/Gross weight	(lbs.) 64.37/75.40
	(kg) 29.2/34.2
OUTDOOR UNIT DATA	
Compressor	
Type	EAPQ420D1UMUA
Model	ROTARY
Brand	GMCC
Capacity	(Btu/h) 44014.8
Input	(W) 3565
Rated current (RLA)	(A) -
Refrigerant oil/oil charge	(ml) 1460±15mlESTER OIL VG74
Throttle	
	EEV for heating
Outdoor fan motor	
Model	ZKFN-85-8-22-5
Qty	2
Input	(W) --
RLA	(A) 1.20
Speed	(r/min) 850/750/650
Air flow & Noise level	
Outdoor air flow (Max.)	(CFM) 4500.0
Outdoor noise level	[dB(A)] 61.0
Outdoor unit	
Dimension (W×D×H)	(inch) 37.48x16.34x52.48
	(mm) 952x415x1333
Packing (W×D×H)	(inch) 43.11x19.49x58.27
	(mm) 1095x495x1480
Net/ Gross weight	(lbs.) 227.07/255.73
	(kg) 103/116

Indoor unit dimension



Model	Unit	Dimensions (mm)			Drain hole	
		W	D	H	L1	L2
12K-24K	mm	445	533	457	Main drain hole	Overflow drain hole
	Inch	17 1/2	21	18		
30K-48K	mm	533	533	609		
	Inch	21	21	24		
60K	mm	622	533	711		
	Inch	24	21	28		

Outdoor unit dimension

