

SUBMITTAL DATA SHEET



A-Coil (30000Btu/h)	
Location: _____ Engineer: _____ Submitted to: _____ Submitted by: _____ Reference: _____	Approval: _____ Date: _____ Construction: _____ Unit #: _____ Drawing #: _____

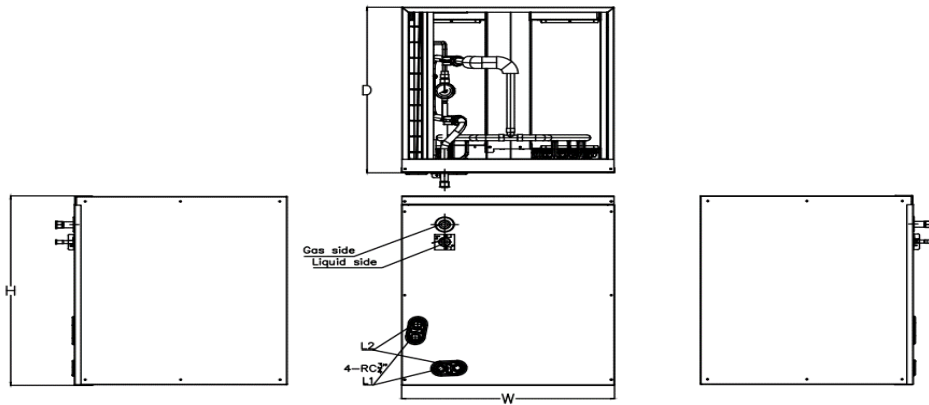
Set Model	
Indoor unit model	ACP-36C
Outdoor unit model	CPR30CD(O)
Certified	
AHRI	
UL	



SYSTEM PERFORMANCE DATA		
Power supply		
Normal Operational Voltage	(V, Ph, Hz)	208/230V, 1Ph, 60Hz
Voltage Range	(V)	187-253
Electrical		
Minimum circuit ampacity	(A)	20
Max.fuse	(A)	35
Connection wiring		18AWG
Cooling		
Rated Capacity	(Btu/h)	30000
Capacity Range	(Btu/h)	8000~33000
Power Input (Max)	(W)	2950(520~3780)
Rated current	(A)	12(2.4~16)
SEER2	(Btu/W)	14.9
EER2	(Btu/W)	10.2
Heating (Standard conditions)		
Rated Capacity	(Btu/h)	31000
Capacity Range	(Btu/h)	8000~34000
Power Input (Max)	(W)	2650(550~3000)
Rated current	(A)	10.5(2.6~12.5)
HSPF2-4	(Btu/W)	9.3
HSPF2-5	(Btu/W)	7.1
COP	W/W	3.32
Heating at 5F		
Capacity	(Btu/h)	19000
COP	W/W	1.81
REFRIGERANT PIPE DATA		
Design pressure	(PSIG)	550/340
Refrigerant Type		R410A
Refrigerant charge	(kg)	3.05
	(oz)	107.6
Additional charge for each ft	(oz/ft)	0.69
	(g/m)	65
Liquid side/ Gas side	(inch)	3/8" / 3/4"
	(mm)	Φ9.52 / Φ19
Max. pipe length	(ft)	164.0
	(m)	50
Max. difference in level	(ft)	82.0
	(m)	25
Connection method	Indoor	Braze
	Outdoor	Flared to braze
Indoor(cooling)	(Deg. °F / °C)	62~90/17~32
Indoor(heating)	(Deg. °F / °C)	32~86 / 0~30
Outdoor(cooling)	(Deg. °F / °C)	5~122 / -15 ~ 50
Outdoor(heating)	(Deg. °F / °C)	5~75 / -15 - 24

INDOOR UNIT DATA		
Throttle		TXV for Cooling
Indoor fan motor		
Type		---
Model		---
Qty		---
Input	(W)	---
RLA	(A)	---
LRA	(A)	---
Winding Resistance	(Ω)	---
Capacitor	(uF)	---
Speed(Hi/Mi/Lo)	(r/min)	---
Air flow & Noise level		
Indoor air flow (Hi/Med/Lo)	(CFM)	---
Indoor noise level (Hi/Med/Lo)	[dB(A)]	---
Dehumidification		
	(Pint/H)	---
Indoor unit		
Dimension (WxDxH)	(inch)	20.98x20.98x23.98
	(mm)	533x533x609
Packing(WxDxH)	(inch)	23.43x25.59x25.39
	(mm)	595x650x645
Net/Gross weight	(lbs.)	66.58/77.16
	(kg)	30.2/35
OUTDOOR UNIT DATA		
Compressor		
Type		KTF250D22UMT
Model		ROTARY
Brand		GMCC
Capacity	(Btu/h)	8095
Input	(W)	2200
Rated current (RLA)	(A)	16
Refrigerant oil/oil charge	(ml)	VG74/670
Throttle		
		EEV for heating
Outdoor fan motor		
Model		ZKFN-120-8-2
Qty		1
Input	(W)	150
RLA	(A)	1.35
Speed	(r/min)	1150/1050/900/850
Air flow & Noise level		
Outdoor air flow (Max.)	(CFM)	3000.0
Outdoor noise level	[dB(A)]	63
Outdoor unit		
Dimension (W×D×H)	(inch)	37.24x16.14x31.89
	(mm)	946x410x810
Packing (W×D×H)	(inch)	42.91x19.69x34.84
	(mm)	1090x500x885
Net/ Gross weight	(lbs.)	141.76/151.46
	(kg)	64.3/68.7

Indoor unit dimension



Model	Unit	Dimensions (mm)			Drain hole	
		W	D	H	L1	L2
12K-24K	mm	445	533	457	Main drain hole	Overflow drain hole
	inch	17 1/2	21	18		
30K-48K	mm	533	533	609		
	inch	21	21	24		
60K	mm	622	533	711		
	inch	24	21	28		

Outdoor unit dimension

