

SUBMITTAL DATA SHEET



A-Coil (48000Btu/h)	
Location: _____ Engineer: _____ Submitted to: _____ Submitted by: _____ Reference: _____	Approval: _____ Date: _____ Construction: _____ Unit #: _____ Drawing #: _____

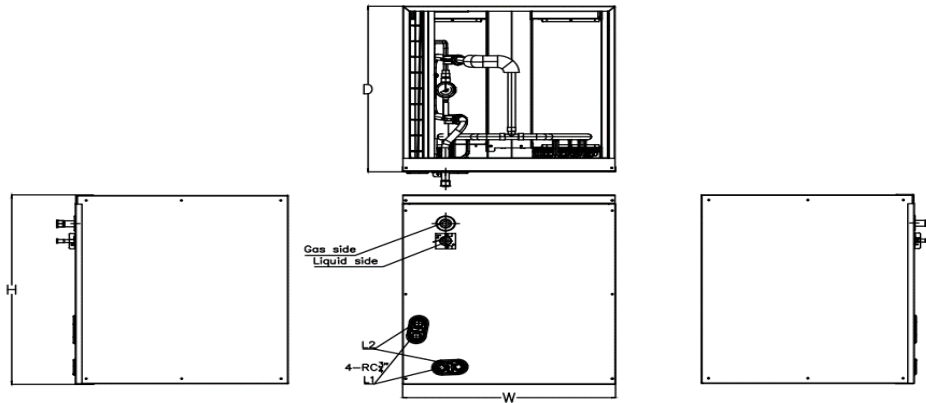
Set Model	Indoor unit model ACP-48C
	Outdoor unit model CPR48CD(O)
Certified	AHRI UL



SYSTEM PERFORMANCE DATA		
Power supply		
Normal Operational Voltage	(V, Ph, Hz)	208/230V, 1Ph, 60Hz
Voltage Range	(V)	187-253
Electrical		
Minimum circuit ampacity	(A)	34
Max.fuse	(A)	50
Connection wiring		18AWG
Cooling		
Rated Capacity	(Btu/h)	48000
Capacity Range	(Btu/h)	12000~48000
Power Input (Max)	(W)	5650(540~5330)
Rated current	(A)	22.3(3~22.5)
SEER2	(Btu/W)	14.3
EER2	(Btu/W)	8.6
Heating (Standard conditions)		
Rated Capacity	(Btu/h)	51000
Capacity Range	(Btu/h)	11000~54000
Power Input (Max)	(W)	5150(710~5580)
Rated current	(A)	22(3.6~22.5)
HSPF2-4	(Btu/W)	8.3
HSPF2-5	(Btu/W)	6.6
COP	W/W	2.90
Heating at 5F		
Capacity	(Btu/h)	28000
COP	W/W	1.8
REFRIGERANT PIPE DATA		
Design pressure	(PSIG)	550/340
Refrigerant Type		R410A
Refrigerant charge	(kg)	4.7
	(oz)	165.8
Additional charge for each ft	(oz/ft)	0.69
	(g/m)	65
Liquid side/ Gas side	(inch)	3/8" / 3/4"
	(mm)	Φ9.52 / Φ19
Max. pipe length	(ft)	213.0
	(m)	65
Max. difference in level	(ft)	98.0
	(m)	30
Connection method	Indoor	Braze
	Outdoor	Flared to braze
Indoor(cooling)	(Deg. °F / °C)	62~90/17~32
Indoor(heating)	(Deg. °F / °C)	32~86 / 0~30
Outdoor(cooling)	(Deg. °F / °C)	5~122 / -15 ~ 50
Outdoor(heating)	(Deg. °F / °C)	5~75 / -15 - 24

INDOOR UNIT DATA	
Throttle	TXV for Cooling
Indoor fan motor	
Type	---
Model	---
Qty	---
Input	(W) ---
RLA	(A) ---
LRA	(A) ---
Winding Resistance	(Ω) ---
Capacitor	(uF) ---
Speed(Hi/Mi/Lo)	(r/min) ---
Air flow & Noise level	
Indoor air flow (Hi/Med/Lo)	(CFM) ---
Indoor noise level (Hi/Med/Lo)	[dB(A)] ---
Dehumidification	
	(Pint/H) ---
Indoor unit	
Dimension (WxDxH)	(inch) 20.98x20.98x23.98
	(mm) 533x533x609
Packing(WxDxH)	(inch) 23.43x25.59x25.39
	(mm) 595x650x645
Net/Gross weight	(lbs.) 66.58/77.16
	(kg) 30.2/35
OUTDOOR UNIT DATA	
Compressor	
Type	KTQ420D1UMU
Model	ROTARY
Brand	GMCC
Capacity	(Btu/h) 13700
Input	(W) 3700
Rated current (RLA)	(A) 24
Refrigerant oil/oil charge	(ml) VG74/1400
Throttle	EEV for heating
Outdoor fan motor	
Model	ZKFN-85-8-22-5
Qty	2
Input	(W) 126
RLA	(A) 2.4
Speed	(r/min) 850/750/650
Air flow & Noise level	
Outdoor air flow (Max.)	(CFM) 4500.0
Outdoor noise level	[dB(A)] 63
Outdoor unit	
Dimension (W×D×H)	(inch) 37.48x16.34x52.48
	(mm) 952x415x1333
Packing (W×D×H)	(inch) 43.11x19.49x58.27
	(mm) 1095x495x1480
Net/ Gross weight	(lbs.) 217.59/248.68
	(kg) 98.7/112.8

Indoor unit dimension



Model	Unit	Dimensions (mm)			Drain hole	
		W	D	H	L1	L2
12K-24K	mm	445	533	457	Main drain hole	Overflow drain hole
	inch	17 1/2	21	18		
30K-48K	mm	533	533	609		
	inch	21	21	24		
60K	mm	622	533	711		
	inch	24	21	28		

Outdoor unit dimension

