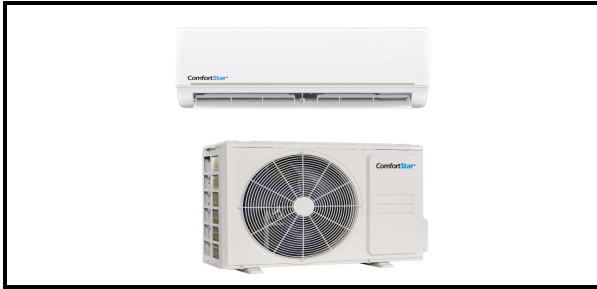


SUBMITTAL DATA SHEET



CIP12CA-L	
Location: _____ Engineer: _____ Submitted to: _____ Submitted by: _____ Reference: _____	Approval: _____ Date: _____ Construction: _____ Unit #: _____ Drawing #: _____

Set Model	Indoor unit model CIP12CA(I)-L
Outdoor unit model	CIP12CA(O)-L
Certified	AHRI



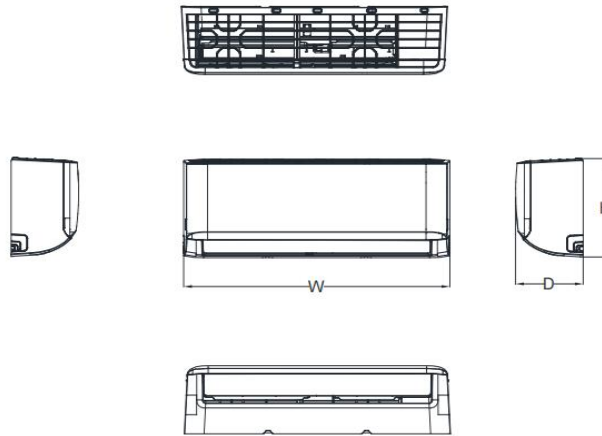
SYSTEM PERFORMANCE DATA		
Cooling (Standard conditions)		
Capacity	Btu/h	11500
Range	Btu/h	3300~12500
Input	W	965
Range	W	80~850
Current	A	8.5
Range	A	1~9
EER	Btu/w	11.90
EER2	Btu/w	12.00
SEER	Btu/w	21.00
SEER2	Btu/w	21.00
Rated Power Input	HP	2.50
Rated Current	A	16.5
Starting current	A	15

INDOOR UNIT DATA		
Indoor fan motor	Model	ZKFP-20-8-113
	Speed(Hi/Mi/Lo)	1200/1040/960
Indoor air flow (Hi/Mi/Lo)		333.6/253.2/211.7
Indoor noise level (Hi/Mi/Lo)		40.5/35.5/33
Indoor unit		
Dimension(W*D*H)	mm	802x200x295
	inch	31.57x7.87x11.61
Packing (W*D*H)	mm	875x285x380
	inch	34.45x11.22x14.96
Net/Gross weight	kg	8.7/11.1
	lbs	19.18/24.47

REFRIGERANT PIPE DATA		
Compressor		
Model		KSK103D33UEZ3
Type		ROTARY
Brand		GMCC
Capacity	W	2035/3255
Input	W	325/826
Rated current(RLA)	A	2.40/5.65
Refrigerant oil/oil charge	ml	ESTER OIL VG74 310
Refrigerant type	oz	R410A/23.28
Design pressure	MPa	4.2/1.5
Refrigerant piping		
Liquid side/ Gas side	mm(inch)	6.35mm(1/4in)/12.7mm(1/2in)
Max. refrigerant pipe length	m	25
	inch	984.25
Max. difference in level	m	10
	inch	393.70
Application area	ft ²	161.4584-236.8062

OUTDOOR UNIT DATA		
Outdoor fan motor		
Model		ZKFN-34-8-1
Speed	r/min	850/600
Outdoor air flow	CFM	1061.40
Outdoor noise level	dB(A)	54
Outdoor unit		
Dimension(W*D*H)	mm	720x270x495
	inch	28.35x10.63x19.49
Packing (W*D*H)	mm	835x300x540
	inch	32.87x11.81x21.26
Net/Gross weight	kg	23/24.7
	lbs	50.706/54.456

Indoor unit dimension



Capacity	Body Code	W(mm/inch)	D(mm/inch)	H(mm/inch)
6K~11K	A	729/28.7	200/7.87	292/11.5
8K~14K	B	802/31.57	200/7.87	295/11.61
12K~21K	C	971/38.23	228/8.98	321/12.64
18K~28K	D	1082/42.6	234/9.21	337/13.27
27K~36K	F	1259/49.57	283/11.14	362/14.25

Outdoor unit dimension

