

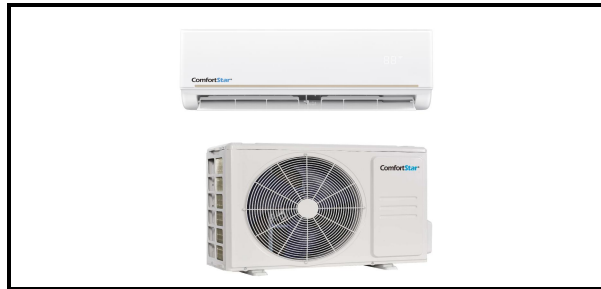
SUBMITTAL DATA SHEET



CIP18CD-L	
Location: _____ Engineer: _____ Submitted to: _____ Submitted by: _____ Reference: _____	Approval: _____ Date: _____ Construction: _____ Unit #: _____ Drawing #: _____

Set Model
 Indoor unit model CIP18CD(I)-L
 Outdoor unit model CIP18CD(O)-L

Certified **AHRI**



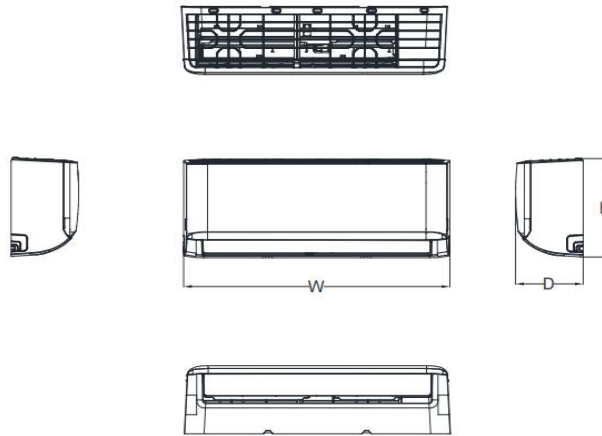
SYSTEM PERFORMANCE DATA		
Cooling (Standard conditions)		
Capacity	Btu/h	17500
Range	Btu/h	/~17500
Input	W	1570
Range	W	/~1570
Current	A	6.8
Range	A	/~6.8
EER	Btu/w	11.30
EER2	Btu/w	11.30
SEER	Btu/w	21.00
SEER2	Btu/w	21.00
Rated Power Input	HP	3.96
Rated Current	A	13.5
Starting current	A	/

INDOOR UNIT DATA		
Indoor fan motor	Model	ZKFP-30-8-3-10
	Speed(Hi/Mi/Lo)	1200/650
Indoor air flow (Hi/Mi/Lo)		470.8/353.1/305.9
Indoor noise level (Hi/Mi/Lo)		46/38.5/31.5
Indoor unit		
Dimension(W*D*H)	mm	971x228x321
	inch	38.23x8.98x12.64
Packing (W*D*H)	mm	1045x305x405
	inch	41.14x12.01x15.94
Net/Gross weight	kg	11.2/14.4
	lbs	24.69/31.75

REFRIGERANT PIPE DATA		
Compressor		
Model		KSN140D58UFZ
Type		ROTARY
Brand		GMCC
Capacity	W	4315
Input	W	1090
Rated current(RLA)	A	7.15
Refrigerant oil/oil charge	ml	ESTER OIL VG74 440
Refrigerant type	oz	R410A/31.75
Design pressure	MPa	///
Refrigerant piping		
Liquid side/ Gas side	mm(inch)	6.35mm(1/4in)/12.7mm(1/2in)
Max. refrigerant pipe length	m	30
	inch	1181.10
Max. difference in level	m	20
	inch	787.40
Application area	ft ²	247.5699-365.9721

OUTDOOR UNIT DATA		
Outdoor fan motor		
Model		ZKFN-34-10-1-3
Speed	r/min	810/700/600
Outdoor air flow	CFM	1235.80
Outdoor noise level	dB(A)	55.5
Outdoor unit		
Dimension(W*D*H)	mm	765x303x555
	inch	30.12x11.93x21.85
Packing (W*D*H)	mm	887x337x610
	inch	34.92x13.27x24.02
Net/Gross weight	kg	27.9/30.3
	lbs	61.508/66.799

Indoor unit dimension



Capacity	Body Code	W(mm/inch)	D(mm/inch)	H(mm/inch)
6K~11K	A	729/28.7	200/7.87	292/11.5
8K~14K	B	802/31.57	200/7.87	295/11.61
12K~21K	C	971/38.23	228/8.98	321/12.64
18K~28K	D	1082/42.6	234/9.21	337/13.27
27K~36K	F	1259/49.57	283/11.14	362/14.25

Outdoor unit dimension

