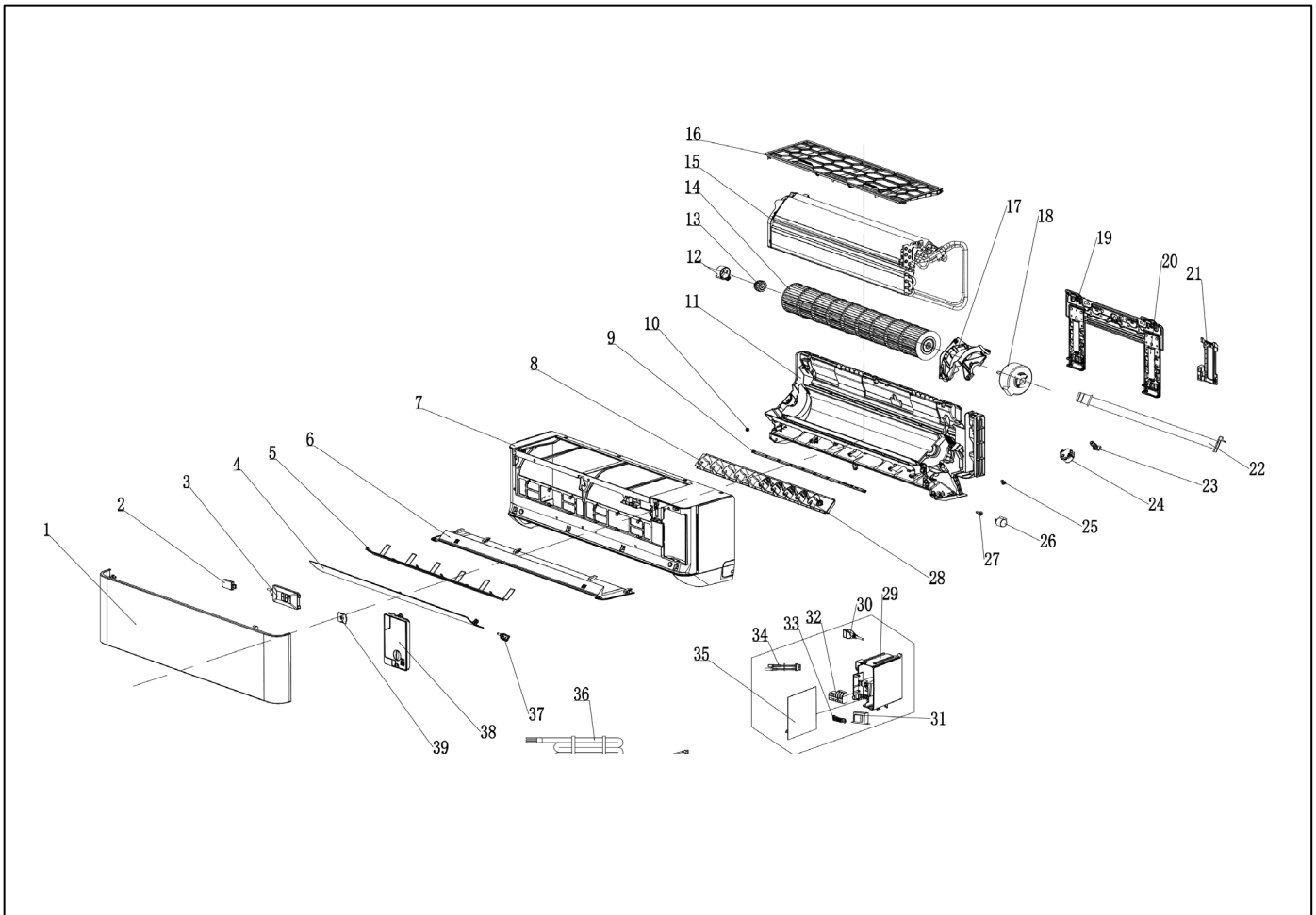


# Exploded View

**Model** CHT12CD-23(I)

**ComfortStar®**



EX_ID	Spare Parts Code	Part Name(EN)	Qty.	Price	Remarks
1	41106-025507	front panel	1		
2	/	wifi module	1		
3	31102-000282	Display PCB	1		
4	41103-000507	Vane assembly	1		
5	/	grill	1		
6	41106-004049	Front cover	1		

7	41106-004048	Face frame	1		
8	41101-000402	Vertical vane	1		
9	41101-000400	Connecting rod	1		
10	42011-000303	Shaft sleeve	1		
11	41199-004856	Base assembly	1		
12	41101-000251	Bearing sleeve	1		
13	42007-000009	Bearing mount	1		
14	42004-000204	Cross fan	1		
15	92011-011904	evaporator	1		
16	41108-000154	Air filter	1		
17	41108-000153	Indoor motor cover	1		
18	22001-000409_UM	Indoor motor	1		
19	41109-000075	Installation plate assembly	1		
20	/	Installation Plate Pole	2		
21	41101-000354	In and out pipe fixer	1		
22	42009-000011	Drainage hose	1		
23	92012-000185	Drain pipe rubber plug	1		
24	29901-000078	Step motor assembly	1		
25	42011-000303	Shaft sleeve	1		
26	22001-000313	Step Motor	1		
27	41101-000255	Electric axis	1		
28	41101-000347	Vertical vane	1		
29	41105-000427	Electrical box	1		
30	22007-001036	Wiring	1		
31	10501-100016	High frequency transformer	1		
32	11304-100063_UM	Terminal	1		
33	42001-000103	Clamp	1		
34	10104-100014	Sensor	1		
35	31101-001797_UM	Main PCB	1		
36	/	Power supply cord	1		
37	41101-000349	Air guide board bolt	1		
38	41105-000178	Electrical box cover	1		
38	41211-000079	Electronic control box cover assembly	1		
39	/	WIFI Fixed Cover	1		

0	A1102-000005	Packing foam	1		
0	A1101-024363	Indoor carton	1		
0	22013-006536	remote control	1		
0	A1102-000009	Packing foam	1		