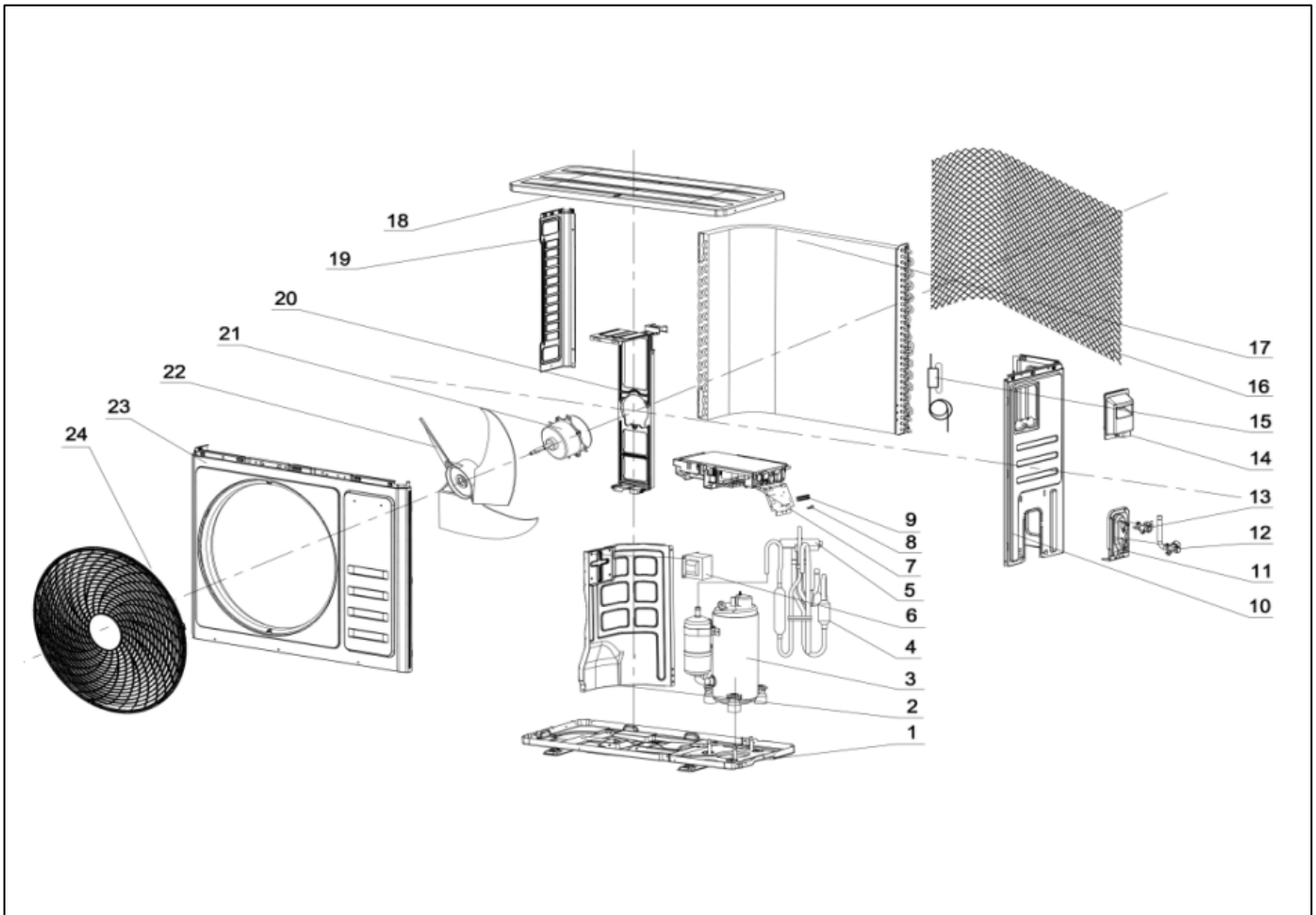


Exploded View

Model CHT12CD-23(O)

ComfortStar[®]



EX_ID	Spare Parts Code	Part Name(EN)	Qty.	Price	Remarks
1	41202-000576	base	1		
2	41208-001262	middle metal panel	1		
3	91299-001529 UM	Compressor system	1		
4	92007-014602	4-way valve assembly	1		
5	92008-000289 UM	4-way valve	1		
6	/	Inductor	1		

7	31201-002373	Outdoor PCB assembly	1		
8	42001-000036	Clamp	1		
9	11304-100045 UM	Terminal	1		
10	41205-000873	right plate assembly	1		
11	41204-000018	valve supporter	1		
12	92008-000146 UM	Three-way valve	1		
13	92008-000051	Two-way valve	1		
14	41201-000106	outdoor safety cover	1		
15	92007-011169	Capillary assembly	1		
16	42011-000185	Back grille	1		
17	92011-004821	Condenser	1		
18	41207-000761	top cover ass'y	1		
19	41205-000131	Left supporter	1		
20	41203-000965	motor bracket assembly	1		
21	22001-000493 UM	Outdoor motor	1		
22	42004-000106	Propeller fan	1		
23	41206-000059	Front panel	1		
24	42011-000041	Fan guard	1		
0	/	Discharge Temp. sensor	1		
0	A2005-000536	Base carton	1		
0	A1202-000041	Base foam	1		
0	10104-100136	Sensor	1		
0	A1201-026429	carton	1		
0	41213-000032	Cover Foam	1		