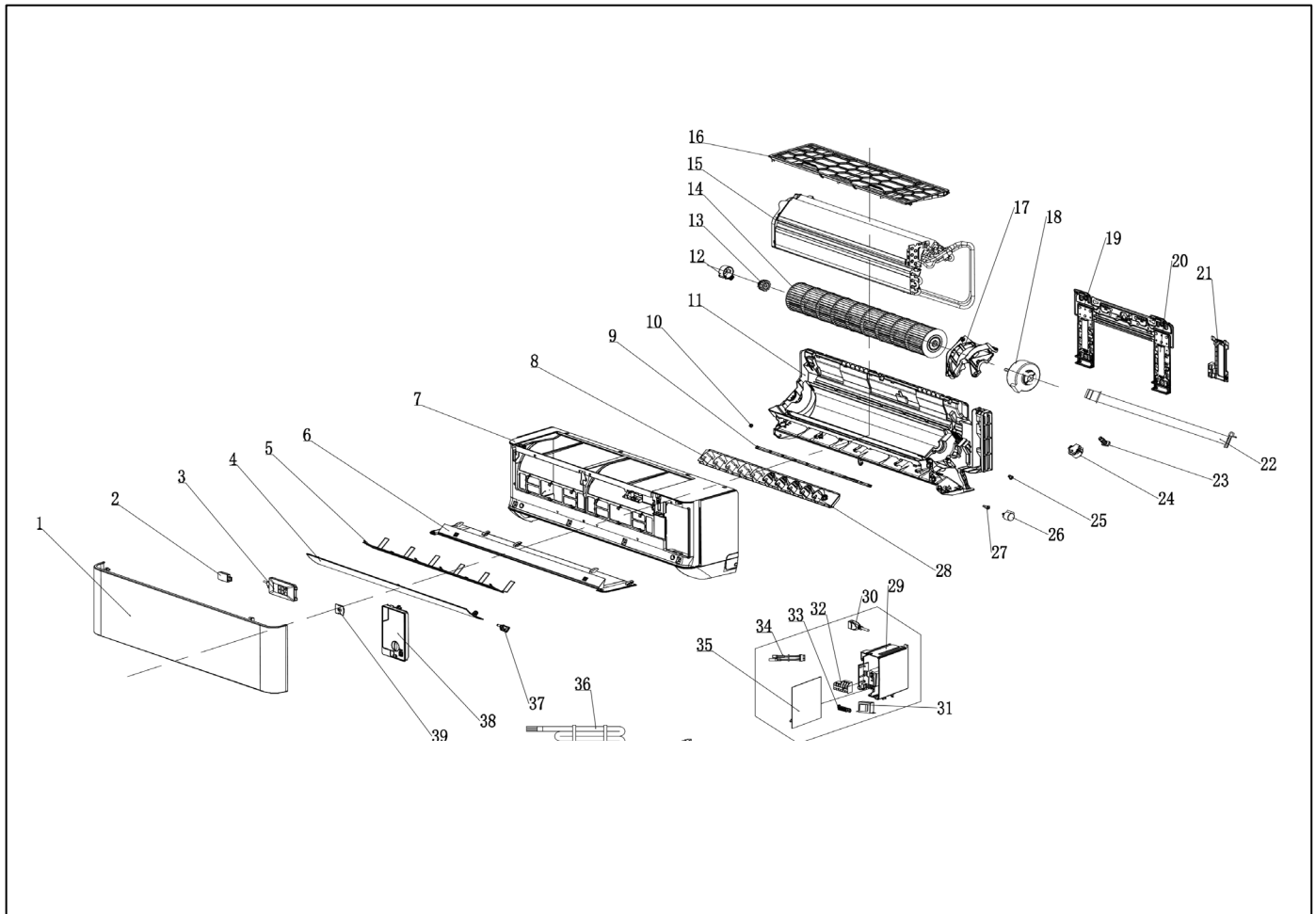


Exploded View

Model

CHT18CD-23(I)

ComfortStar®



EX_ID	Spare Parts Code	Part Name(EN)	Qty.	Price	Remarks
1	41106-025509	front panel	1		
2	/	wifi module	1		
3	32099-006472	Display PCB	1		
4	41103-000481	Vane	1		
5	41103-000615	Air outlet protection grille	1		
6	41101-000388	Central frame front cover	1		

7	41106-020669	face frame assembly	1		
8	41101-000375	Sweep vane card	1		
9	41101-000373	Swept connecting rod	1		
10	42011-000303	Shaft sleeve	1		
11	41102-000557	Base assembly	1		
12	41101-000251	Bearing sleeve	1		
13	42007-000009	Bearing mount	1		
14	42004-000213	Cross fan	1		
15	92011-009409	evaporator	1		
16	42008-000175	Air filter	1		
17	41108-000009	Indoor motor cover	1		
18	22001-000240_UM	Indoor motor	1		
19	41109-000073	Installation plate	1		
20	/	Installation plate	2		
21	41101-000240	In and out pipe fixer	1		
22	42009-000011	Drainage hose	1		
23	92012-000185	Drain pipe rubber plug	1		
24	29901-000078	Step motor assembly	1		
25	42011-000303	Shaft sleeve	1		
26	22001-000360	Step motor	1		
27	41101-000255	Electric axis	1		
28	41101-000374	Vertical vane	1		
29	41105-000427	Electrical box	1		
30	22007-001036	Wiring	1		
31	/		1		
32	11304-100063_UM	Terminal	1		
33	42001-000103	Clamp	1		
34	10104-100014	Sensor	1		
35	31101-001775_UM	Main PCB	1		
36	/	Power supply cord	1		
37	41101-000213	Air guide board bolt	1		
38	41105-000178	Electrical box cover	1		
38	41211-000079	Electronic control box cover assembly	1		
39	/	WIFI lifted the lid	1		

0	A1101-024364	carton	1		
0	A1102-000003	Packing foam	1		
0	A1102-000004	Packing foam	1		
0	22013-006536	remote control	1		