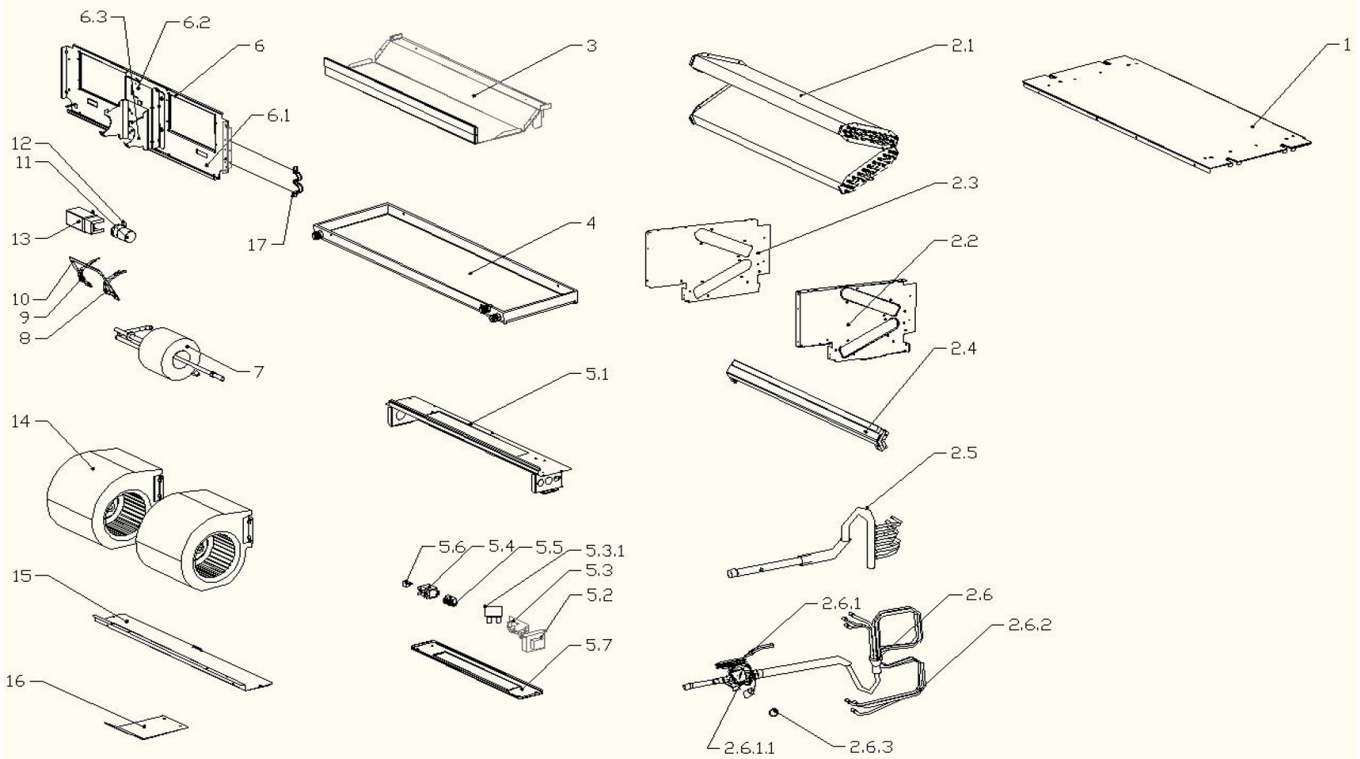
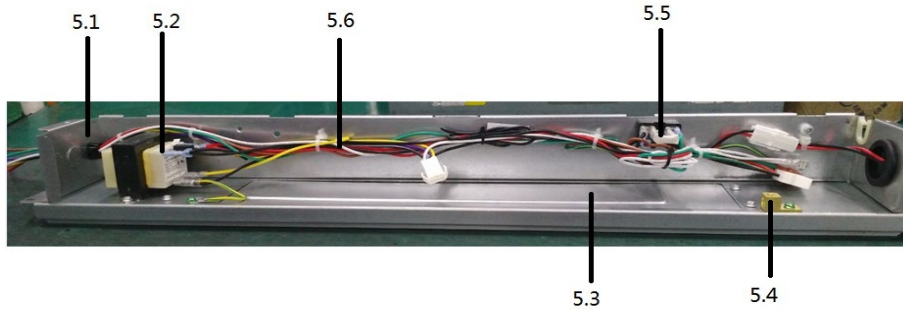


Exploded View

Model

CHX18CD

ComfortStar®



| EX_ID | Spare Parts Code | Part Name(EN) | Qty. | Price | Remarks |
|-------|------------------|------------------|------|-------|---------|
| 1 | 12223000001342 | Top cover ass'y | 1 | | |
| 2 | 15823000004344 | Evaporator ass'y | 1 | | |

| | | | | | |
|---------|----------------|---------------------------------|---|--|--|
| 2.1 | 15823000004345 | Evaporator | 2 | | |
| 2.2 | 12223000007091 | Sealed board | 1 | | |
| 2.3 | 12223000010729 | Sealing panel assembly | 1 | | |
| 2.4 | 12223000001762 | Connecting plate, evaporator | 1 | | |
| 2.5 | 15223000000148 | Evaporator output pipe assembly | 1 | | |
| 2.6 | 15423000004460 | Evaporator input pipe assembly | 1 | | |
| 2.6.1 | 15423000004461 | Expansion valve ass'y | 1 | | |
| 2.6.1.1 | 15500213000102 | Thermal expansion valve | 1 | | |
| 2.6.2 | 15223000000147 | Distributary ass'y | 1 | | |
| 2.6.3 | 12100901000010 | Sealing ring | 1 | | |
| 3 | 12223000007087 | Drainage deflector ass'y | 1 | | |
| 4 | 12223000014870 | Drainage pan assembly | 1 | | |
| 5 | 17223000005338 | E-box ass'y | 1 | | |
| 5.1 | 12223000004167 | E-box | 1 | | |
| 5.2 | 11203103000194 | Linear Transformer | 1 | | |
| 5.3 | 12223000001400 | Sealing plate | 1 | | |
| 5.4 | 11201708000008 | Wiring Terminal | 1 | | |
| 5.5 | 17400401000208 | terminal block,2P | 1 | | |
| 6 | 12223000010728 | Beam ass'y | 1 | | |
| 7 | 11002015000521 | Brushless DC Motor | 1 | | |
| 8 | 12222500000253 | Fan Motor Axes Clamp (Left) | 1 | | |
| 9 | 12222500000255 | Fan Motor Axes Clamp (Right) | 1 | | |
| 10 | 12226000000365 | Board | 1 | | |
| 12 | 12223000001397 | Cover, E-box | 1 | | |
| 13 | 12223000001376 | Cover, motor | 1 | | |
| 14 | 12223000001624 | Pipe clamp board | 1 | | |