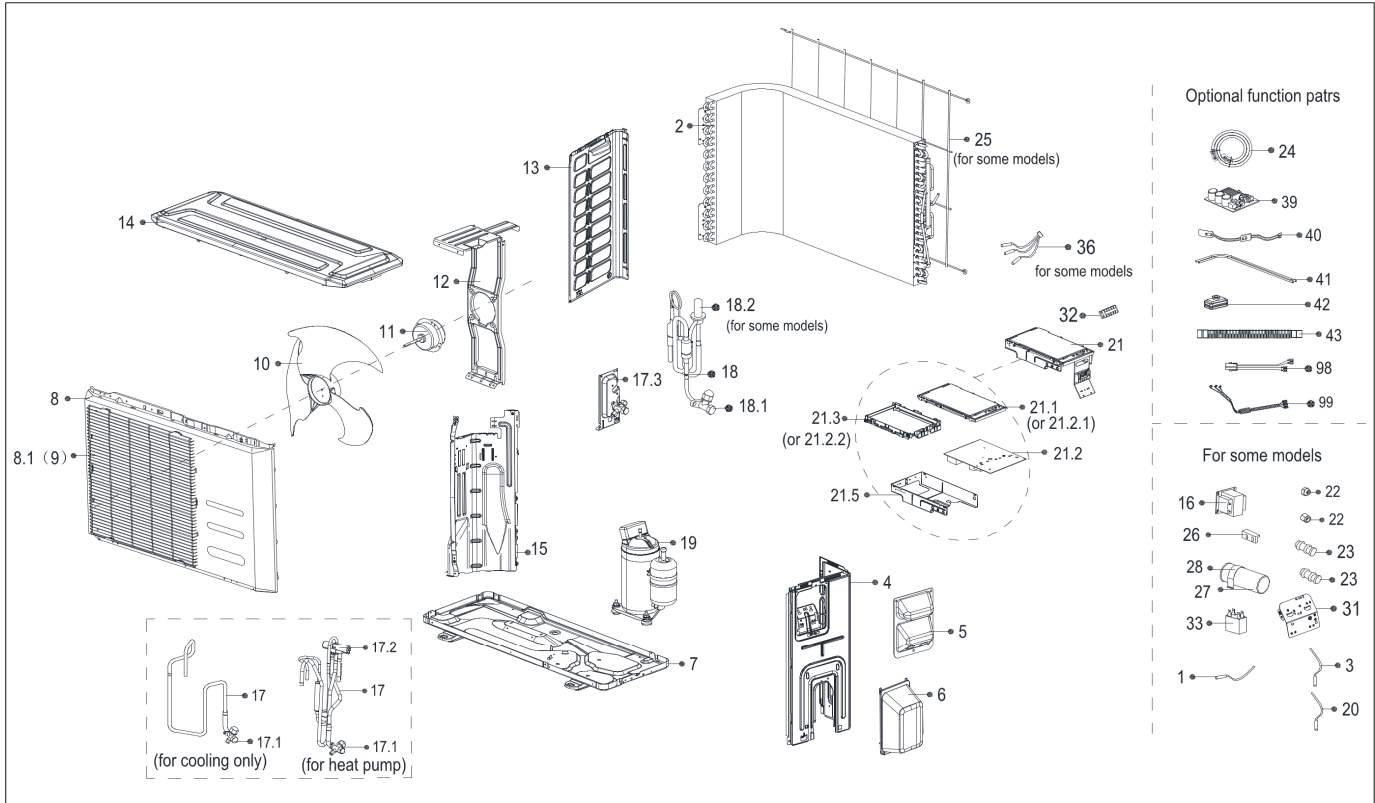


Exploded View

Model CIM09CD(O)

ComfortStar®



EX_ID	Spare Parts Code	Part Name(EN)	Qty.	Price	Remarks	Update
1	11201007002321	Room Temperature Sensor	1			
2	15822000A16082	Condenser assembly	1			
3	11201007002320	Pipe Temperature Sensor	1			
4	12222000006249	Right clapboard assembly	1			
5	12222000010966	Big handle assembly	1			
6	12122000007150	Water collector	1			
7	12222000004427	Chassis assembly	1			
8	12222000004842	Front panel assembly	1			
9	12222000007424	Air outlet grille	1			
10	12100105000057	Axial flow fan	1			
11	11002015008264	Brushless DC Motor	1		CSN after*20503xxxx	20230713
	11002015006761				CSN after*17827xxxx	20230713
12	12222000008924	Supporter subassembly of fan motor	1			
13	12222000006244	Left supporter	1			
14	12222000006246	Top cover assembly	1			

15	12222000004425	Partition board	1			
17	15422000013792	Gas valve assembly	1			
17.1	15500204000021	Gas valve	1			
17.3	12222000002571	Valve plate	1			
18	15422000008832	Liquid valve assembly	1			
18.1	15500208000028	Liquid valve	1			
19	11103020002899	DC Inverter Rotary Compressor	1		CSN after*20503xxxx	20230713
	11103020003119				CSN after*17827xxxx	20230713
20	11201007000005	Discharge Temperature Sensor	1			
21	17222000024648	Electronic control box subassembly	1			
21.2	17122000038528	Outdoor main control board subassembly	1			
21.2.1	12222000001455	Cover of electronic control box	1			
21.2.2	12122000006913	Support of electronic control box	1			
21.5	12222000001311	Electronic installing box subassembly	1			
24	15111600A00008	Connecting pipe assembly	1			
25	12222000003986	Rear net	1			
31	12222000002259	Terminal board	1			
32	17400401000068	Terminal	1		CSN after*21226xxxx	20230713
	17400401000075				CSN after*17827xxxx	20230713
99	17401203000802	Compressor wire subassembly	1			